

Order

Price enquiry

ACO ShowerDrain Public 110 - individual configuration

ACO. creating
the future of drainage



If you require a quotation, please fill in this configuration, print and send to the following fax number or print as PDF file and send to the following email address:

Sales representative: _____

Date: _____

Object (no., name, location): _____

Dealer/contact partner: _____

Handling code/document no.: _____

Tel.: _____ Email: _____

ACO Haustechnik
Intercompany Business
Fax +49 (0) 3 69 65 /81 9-3 69
E-Mail: icb-haustechnik@aco.com

Installer: _____

Street: _____ City: _____

Tel.: _____ Email: _____

1. General information

Material:

Max. channel length Lmax = 5000 mm.

Longitudinal slope of channel approx. 1%. (min. 0,7% - max. 2%).

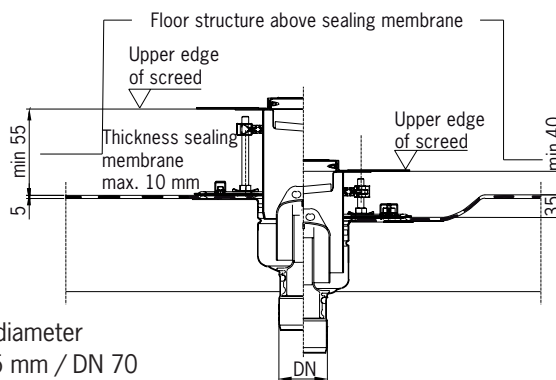
Delivery incl. combi sealing ring for floor drain DN70 Variant-CR 142.

Remarks:

When selecting floor drain, please observe information under point 6.

For drain values as per DIN EN 1253-1, the max. flow path of 2000 mm must not be exceeded.

Floor thickness: mm



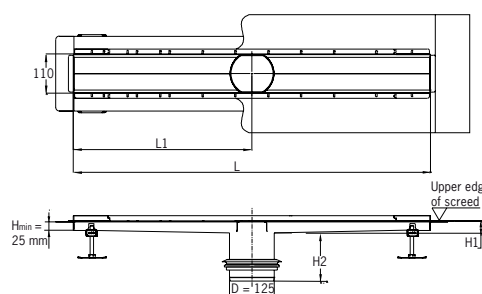
Socket diameter
D = 125 mm / DN 70

2a. Channel with one outlet socket (as from 4.000 mm, 2 outlet sockets are required)

Quantity

Installation location 1. channel 2a:
L = (600 - 4.000 mm) mm
L1 = (100 - 2.000 mm) mm
H1 = mm H2* = mm
Note: H1 = max. 100 mm

*Standard socket length = 130 mm

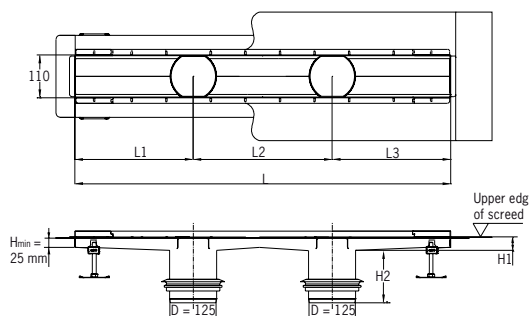


2b. Channel with several outlet sockets

Quantity

Installation location 1. channel 2b:
L = (700 - 5.000 mm) mm
L1 = (100 - 2.000 mm) mm
L2 = (400 - 2.000 mm) mm
L3 = (100 - 2.000 mm) mm
H1 = mm H2* = mm
Note: H1 = max. 100 mm

*Standard socket length = 130 mm



3. Room installation - shower channel with surrounding flange

○		<p>H3* = (12-30) mm</p> <p>V = (max. offset 10) mm</p> <p>*Standard frame height H = 15 mm</p>
---	--	--

4. Wall installation - shower channel with wall flange

In the case of shower channels with wall flange, only stainless steel floor drain, Variant-CR 142 (DN 70) with retaining rim can be used.

○		<p>H3* = (12-30) mm</p> <p>H4* = (12-30) mm</p> <p>B** = mm</p> <p>*Standard frame height H3 and H4 = 15 mm</p> <p>B** = 84 mm (with standard frame width H4=15 mm)</p>
---	--	---

5. Selecting grating

	Type	Load classes K3 (loadable up to 300kg)	Slip-proof	Fixation
○	Roller grating 	K3	slip-proof	Standard = without ○ internal hexagon ○
○	Quadrato 	K3	slip-proof	Standard = without ○ internal hexagon ○ Snake-Eye ○
○	Tile 	K3	dependent upon tile surface	

6. Floor drain

Due to waste water quantity, structural conditions and fire protection, installation location and type of sealing required, the floor drain must be separately selected and ordered.

Note:

DN 70 Variant-CR 142 for socket D=125; DN 50 / 70 / 100 floor drain Passavant for socket D=125

Shower channels with wall flange, only DN 70 Variant-CR 142 with retaining rim can be used.