

Barrier free

drainage solutions

ACO ShowerDrain



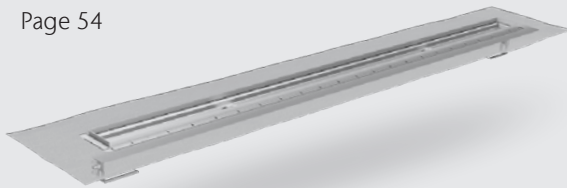
## ACO offers various sanitary drainage systems.

There is a wide range from one-piece stainless steel shower channels to two-piece and modular shower channel systems. Discover the surprisingly simple ACO ShowerDrain S+ and the functional ACO ShowerDrain C. With the ACO ShowerDrain Public, almost all construction challenges and design requirements can be solved – from the fire protection solution to various construction heights to the shower channel with several drain pots/sockets to increase the flow rate. With the new ACO ShowerDrain Public X, ACO offers a sustainable solution to reduce energy consumption for water heating significantly. The product programme is enhanced due to ACO ShowerStep, which incorporates a slope together with a professional finish. ACO has the right solution for every requirement, from high-quality commercial wetrooms, sports facilities to private bathrooms.

### ShowerDrain Public 80

The public shower channel for low floor structure

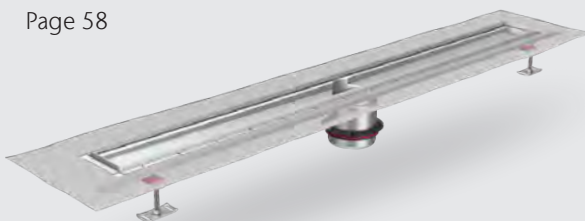
Page 54



### ShowerDrain Public 110

The high-performance public shower channel

Page 58



### ACO ShowerDrain S+

The new ACO ShowerDrain. Surprisingly simple.

Page 16



### ACO ShowerDrain C

The functional channel

Page 20



### ACO ShowerDrain B

The universal channel

Page 30



### ACO ShowerDrain E+

The universal channel

Page 32



### ACO ShowerDrain M+

The modular channel

Page 36

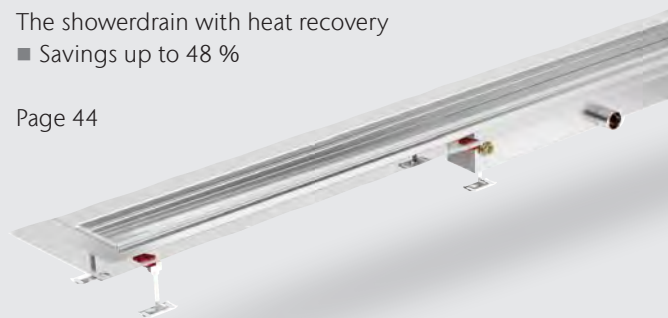


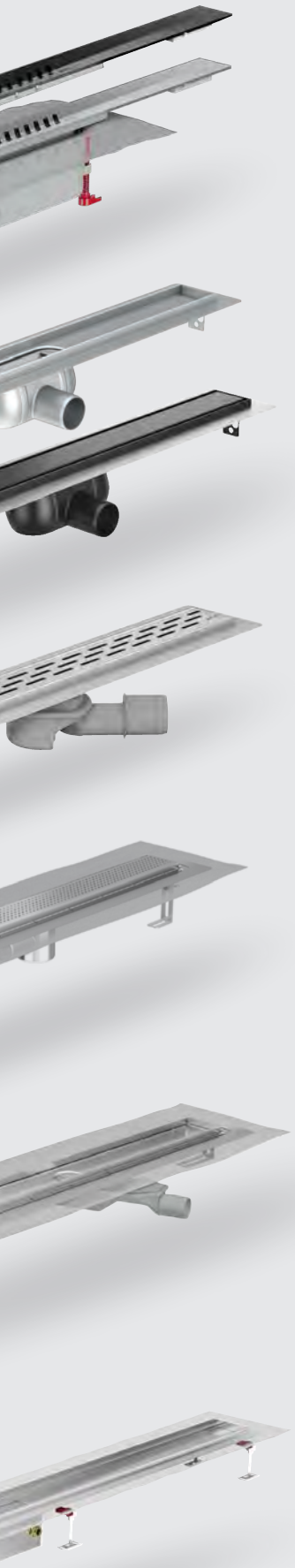
**NEW**

### ShowerDrain Public X

The showerdrain with heat recovery  
■ Savings up to 48 %

Page 44





# 1

## Technical information

Slope and drainage capacity	8
The material stainless steel in shower areas	9
Sound protection	10
ACO ShowerStep	12

# 2

## Product overview: Shower channels

ACO ShowerDrain S+	16
ACO ShowerDrain C	20
ACO ShowerDrain B	30
ACO ShowerDrain E+	32
ACO ShowerDrain M+	36

# 3

## Product overview: Public channels

ACO ShowerDrain Public X <b>NEW</b>	44
ACO ShowerDrain Public	52

# ACO. we care for water

ACO is a Water-Tech company that protects water. Building on our global drainage expertise that protects people from water, we increasingly see our mission as also protecting water from people.

With the ACO WaterCycle, ACO provides systems that collect and channel, clean, retain and ultimately reuse water. In this way, ACO contributes to the preservation of clean groundwater as a vital resource, and makes a contribution to tomorrow's world. In its Agenda 2030, the UN global community set the improvement of water quality as one of 17 sustainable development goals.

Intelligent drainage systems from ACO increasingly use smart technology to ensure that rainwater and wastewater are drained, or temporarily stored. With innovative separation and filter technology, we prevent water contamination by pollutants such as fat and grease, fuels, heavy metals and microplastics.

Today, ACO goes one step further: we accept the challenge of reusing water, and thus establishing a resource-saving cycle. For all products and systems, ACO attaches great importance to durability, reusability and a low carbon footprint. The pursuit of sustainability is an ongoing process that we strive to meet every day.

The ACO Group is a global family business that is one of the world market leaders in the Water-Tech segment. Founded in Schleswig-Holstein in 1946, it operates as a transnational network in over 50 countries. Worldwide, ACO is characterised by a high level of decentralised ownership, and explicit regional market proximity.

[www.aco.com](http://www.aco.com)



**Holder**  
Iver and Hans-Julius Ahlmann



**Headquarters of the ACO Group**  
in Rendsburg / Büdelisdorf



**5.300**

employees in more than 50 countries (Europe, North and South America, Asia, Australia, Africa)

**1.15 Billion**

Euro Sales in 2022

**40**

production sites in 20 countries



ACO Academy  
for practical training

1



A person wearing a blue jacket is holding a white cylindrical shower drain component. The component has a brown, circular, porous filter on top. The background is a plain white surface.

## Technical Information

### ACO ShowerDrain

The requirements for an installation that proves itself in practice and in everyday use are professional planning, good selection of models and, of course, professional installation. On the following pages learn more about the basics of bathroom drainage and product characteristics in terms of flow rate, installation heights or sound insulation.

## Slope and drainage capacity

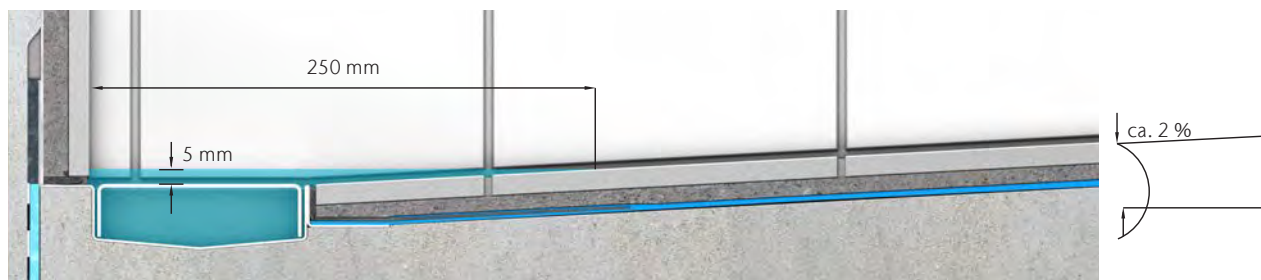
Conventional point gullies require a four-sided slope in the tiling. By comparison line drainage enables a one-sided slope. This makes use of large-format tiles significantly easier. A large slope supports the drainage performance. A small slope offers more slip resistance and is more wheelchair compatible. In practice slopes between 1.5 % and 2 % have proven successful. If 5 mm water backflow above the grating results during showering, the water is then approx. 250 mm in the room. EN 1253-1 defines flow values for floor gullies and channels with foul air trap with a water seal of 50 mm.

Accordingly, a minimum value of 0.4 l/s is required for a shower area. This measured value must be achieved with a water build-up of 20 mm above the grating.

If no standing water is wanted during showering, for example, if the gully is located in the room, the flow capacity of the shower fitting must be noted. ACO ShowerDrain E+ and C offer the additional option of increasing the drainage rate by installing several gullies within a shower channel as a customized solution.

### NEW

If it's not possible to install a shower channel with a water seal of 50 mm (1253-1) for space reasons, a shower channel with a water seal lower than 50 mm may now also be used in accordance with the new EN 1253-6. Corresponding restrictions of the new standard (e. g. no more than three storeys in addition to the ground floor, etc.) must be considered.



Water build-up when mounting the shower channel on the wall

8



ACO ShowerDrain S+  
Flow rate 0,80 l/s (EN 1253-1)



ACO ShowerDrain C  
Flow rate 0,91 l/s (EN 1253-1)

The new ACO ShowerDrain S+ and the new ACO ShowerDrain C pass the drainage values required by the standard, partially significantly. With other channel types, the drainage value can be increased by using several gullies.

Dimension sheet for customized solutions:  
<https://www.buildingdrainage.aco/support/downloads/bathroom-and-leisure/>



### Increased drain performance by using multiple gullies\*

Water build-up		Flow rate [l/s]	
		10 mm	20 mm
ACO ShowerDrain E+	1 gully	0.40	0.60
	2 gullies	0.70	1.00
	3 gullies	1.00	1.40
ACO ShowerDrain M+	1 gully	0.40	0.46
ACO ShowerDrain Public 80	2 gullies	0.85	0.95
	3 gullies	1.15	1.30
ACO ShowerDrain C	1 gully	0.72	0.91
ACO ShowerDrain S+ (Stripe)	1 gully	0.70	0.80
ACO ShowerDrain S+ (Plate)	1 gully	0.50	0.60

\* with ACO ShowerDrain Public 80 there are always at least 2 drains

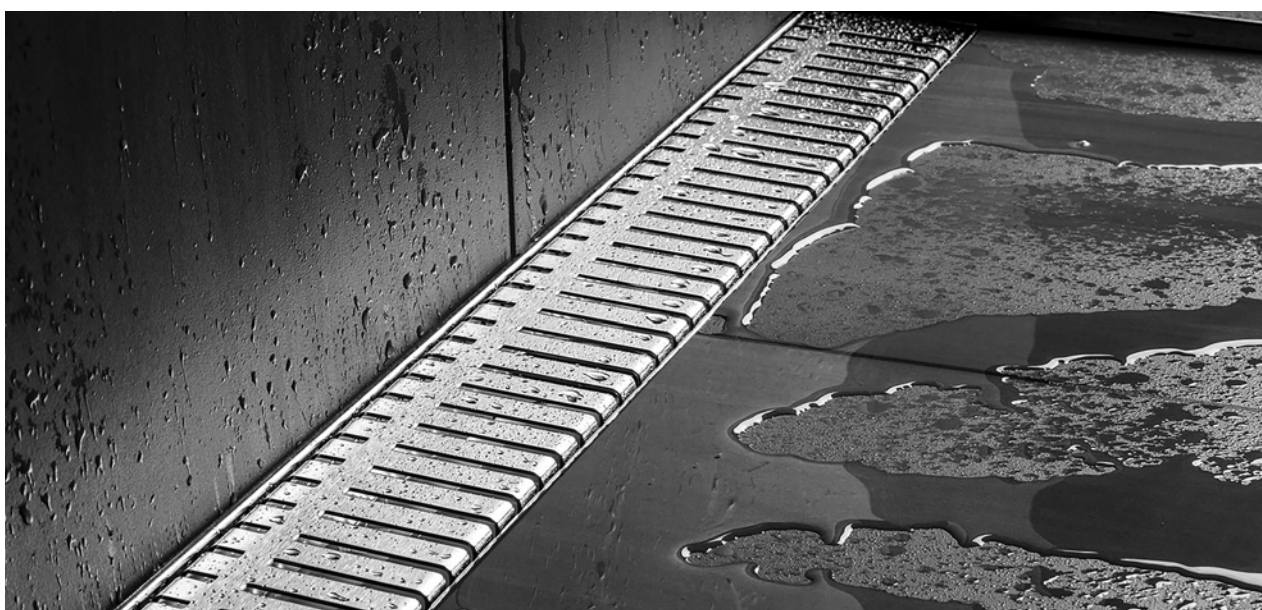
### High drainage capacity through various drain combinations with ACO ShowerDrain Public 110

Water build-up	Inclination [°]	Flow rate [l/s]	
		10 mm	20 mm
Passavant ND 50	1.5	1.0	1.0
	90	1.0	1.0
Variant CR 142 ND 70	1.5	0.95	1.5
	90	0,95	1.5
Passavant ND 70	1.5	1.0	1.6
	90	1.0	2.0
Passavant ND 100	1.5	1.0	1.6
	90	1.0	2.0

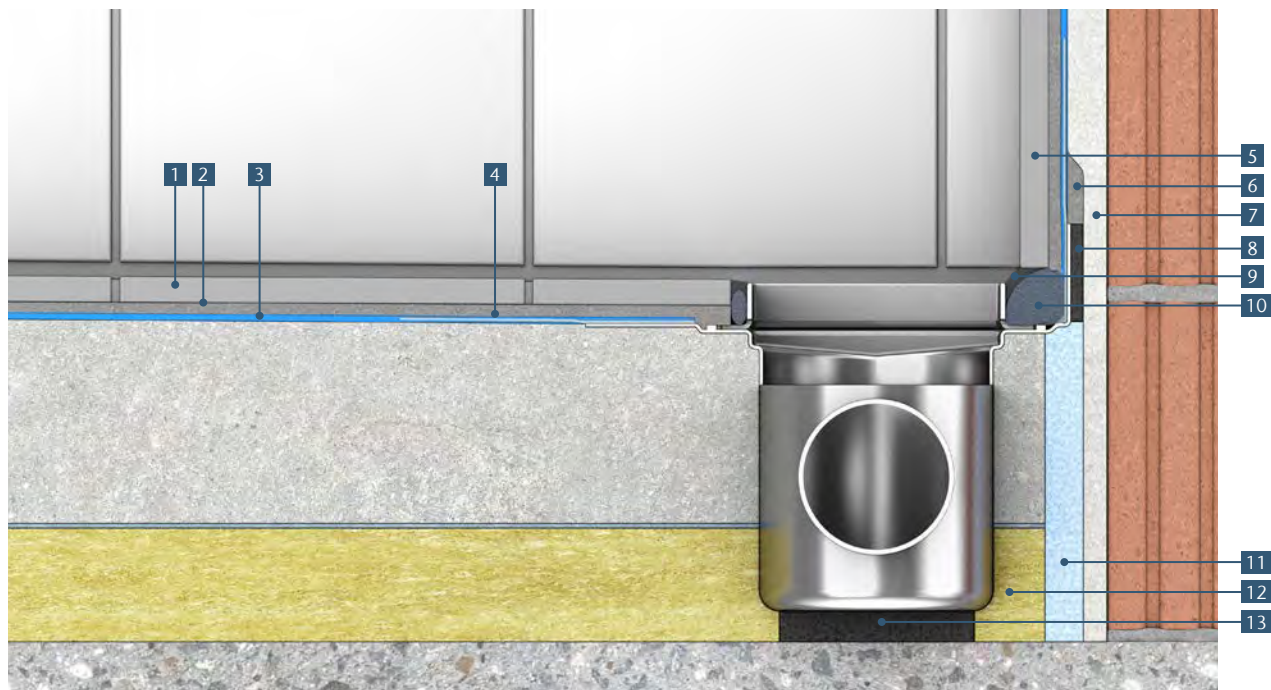
## The material stainless steel in shower areas

There are several good reasons for using stainless steel in sanitary engineering applications. Thanks to its smooth, hard surface, it does not need any protective layers made from either organic or inorganic materials. Stainless steel is also able to tolerate cleaning and disinfecting agents, even at high temperatures. The material does not become statically charged, a property that stops it from attracting dust particles and, as a result, bacteria. After coming into contact with hot water, its surface dries more quickly than other materials (particularly non-metal ones).

As such, there is no need to rub it dry – something that should be avoided anyway because of the risk of secondary infection it is known to carry. All ACO shower channels are fully preinstalled, which means that all the individual components are firmly connected. This guarantees that the shower channel is completely watertight. The ShowerDrain S+ and E+ product range also features a surface that has been electro-polished: in this process, any surface irregularities are removed by a passivating process to the point where a highly reflective surface is produced.



## Sound protection solutions for line drainage



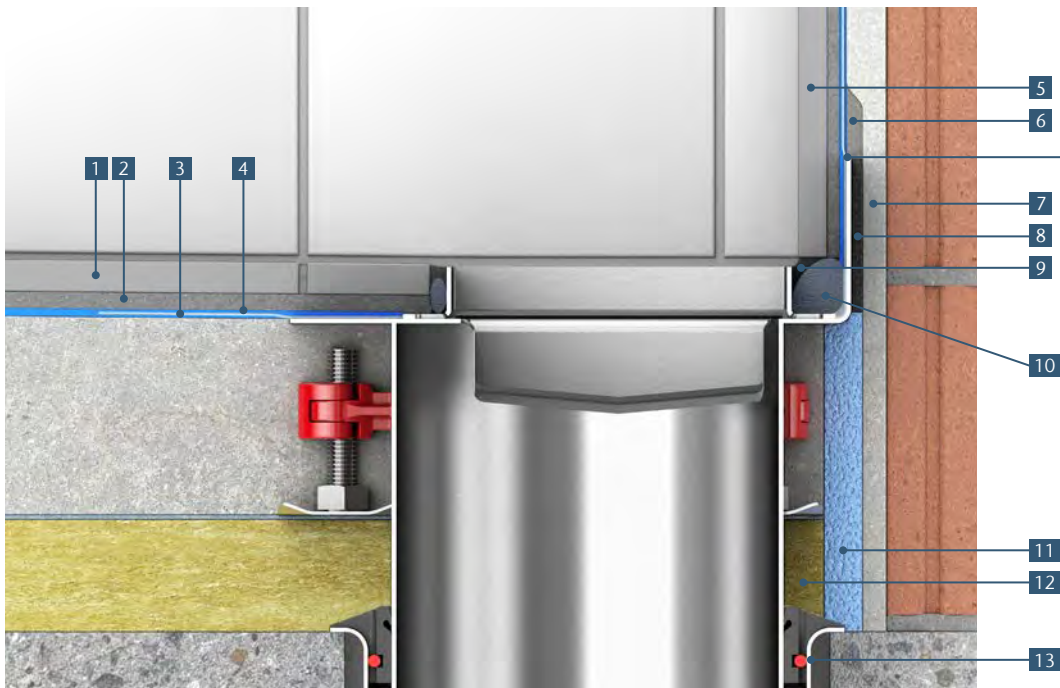
Installation proposal ACO ShowerDrain E+ (floor construction according sound insulation test report)

- |   |   |
|---|---|
| <ul style="list-style-type: none"> <li>1 Floor tile</li> <li>2 Tile adhesive</li> <li>3 Compound sealing (on site)</li> <li>4 Sealing membrane (factory assembled)</li> <li>5 Wall tile</li> <li>6 Offset on site</li> <li>7 Interior wall plaster</li> </ul> | <ul style="list-style-type: none"> <li>8 Sound decoupling layer</li> <li>9 mech./elec. connection joint</li> <li>10 Filling hose</li> <li>11 Perimeter isolation strip</li> <li>12 Mineral insulation</li> <li>13 Separation layer</li> </ul> |
|---|---|

10

Every detail is important regarding sound insulation, because even a single sound bridge can increase the noise transmission from the waste water area to the building, that the agreed acoustic requirements can no longer be fulfilled. Sound propagation and transmission as well as the interrelationship of airborne and structure-borne sound are complex. For the planning and executing side of drainage systems, solutions are required which can be easily implemented without special knowledge in building acoustics and without that further manual work is processed. Noise insulation is particularly important in residential construction, hospitals and hotels, as the home serves as a place of rest and retreat for people. All ACO ShowerDrain shower channels are supplied with sound insulation at the factory so that the shower channels are also very easy to install from an acoustic point of view. It does not matter whether the shower channels are located in the middle of the shower area or directly at the wall. Shower channels, which are

specially edged up for the wall area, are additionally equipped with a sound decoupling layer strip, which acoustically effectively separates the shower channel from wall and tiles. According to a judgment of the German federal court, the VDI 4100 "Noise protection in apartments" naming the the sound insulation levels SSt II and SSt III, fulfill the current requirements for apartments in single and multi-family houses as well as semi-detached and terraced houses in Germany. The tested ACO ShowerDrain fall below the required characteristic values and the increased sound insulation requirements for building services systems according to the german standard DIN 4109, partially clearly. Acoustically tested were the ACO ShowerDrain Shower channels at the Fraunhofer Institute for Building Physics company in Stuttgart, which is certified according to EN ISO/ICE 17025 by the DAP (German Accreditation System for Testing).



Installation proposal ACO ShowerDrain Public (floor construction according sound insulation test report)

- 1 Floor tile
- 2 Tile adhesive
- 3 Compound sealing (on site)
- 4 Sealing membrane (factory assembled)
- 5 Wall tile
- 6 Offset on site
- 7 Interior wall plaster
- 8 Sound decoupling layer
- 9 mech./elec. connection joint
- 10 Filling hose
- 11 Perimeter isolation strip
- 12 Mineral insulation
- 13 Floor drain: The sound transmitting properties of the floor drain are low and not relevant for testing. Sound insulation values of the pipe must be determined separately.



The eyelet of the channel with wall flange can optionally be used as a mounting aid.

**IMPORTANT:** This wall fastening must be removed before installing the composite seal in order to separate the channel acoustically from the wall and tile.

The increased requirements for sound insulation must also be met in public areas. The VDI 4100 "Sound insulation in apartments" in the sound insulation levels SSt II and SSt III not only regulates the current needs for apartments, but also for hotels, clinics, hospitals, etc. or senior residences. The new ACO ShowerDrain Public 110, particularly suitable for inline shower systems, can be combined with floor gullies Variant-CR 142 and meets all the above-mentioned sound insulation requirements as well as the increased sound insulation requirements for building services installations according to the German standard DIN 4109.

≤ 22 dB(A)

# ACO ShowerStep

## Slope compensation between shower channel and bathroom area

The ACO ShowerStep from the ACO ShowerDrain product range is intended to be installed between a walk-in floor level shower area with a built-in shower channel, and the adjoining bathroom area. The bathroom is fully tiled and levelled, without a slope, while the shower area is tiled with a single-sided slope of ca. 2 % towards the shower channel. This slope creates a difference in height between the two areas which increases towards the channel.

### Dimensions and versions

The ACO ShowerStep is available in two lengths (990 mm and 1.490 mm) and three heights (H1: 10 mm, 12.5 mm, 15 mm). The specified heights are based on the different tile thicknesses available on the market. The height describes the side of the ACO ShowerStep that faces the level bathroom area and away from the shower area. The lengths can be individually shortened on site. ACO ShowerStep is available in a right and left version.

ACO ShowerStep provides an attractive transition between the two areas and offers a clean surface profile. It is easy to install, which saves time and it protects the edges of the surrounding surfaces.

### Surface

The ACO ShowerStep is made of stainless steel and is available with two surface finishes.

#### ■ Grinded

Ideal complement for ACO ShowerDrain C, Public and Public X

#### ■ Electro polished

Ideal accessory for ACO ShowerDrain S+, E+, and M+



12

### Installation

Apply the adhesive to the screed and also coat the underside of ACO ShowerStep with it. The cavity of the slope wedge must also be completely filled with tile adhesive. Then press ACO ShowerStep into the fresh adhesive, align it and then also coat the top side with sufficient tile adhesive. Now lay the tiles and press them in firmly. The upper

edge of the slope wedge must be flush with the tile. Form a joint (approx. 1 – 1.5 mm) between tile and wedge and fill it with grout or an expandable compound. After the sloping shower area in front of the shower channel has also been tiled out, the silicone sealant of the shower channel has to be injected.



12





### ACO ShowerStep

- Easy to fit
- A product for use with or without glass shower panel
- No tedious and unsightly tile cutting
- Pre-formed slopes
- Can be shortened to any length

#### Order data, ACO ShowerStep

Product / Dimensioned drawing	Version	Dimensions			Article no.	
		L [mm]	H1* [mm]	H2 [mm]	Grinded surface	Electro-polished surface
	left	1490	10	36	9010.72.41	9010.72.53
			12.5		9010.72.42	9010.72.54
			15		9010.72.43	9010.72.55
		990	10	9010.72.44	9010.72.56	
			12.5	9010.72.45	9010.72.57	
			15	9010.72.46	9010.72.58	
	right	1490	10	36	9010.72.47	9010.72.59
			12.5		9010.72.48	9010.72.60
			15		9010.72.49	9010.72.61
		990	10	9010.72.50	9010.72.62	
			12.5	9010.72.51	9010.72.63	
			15	9010.72.52	9010.72.64	

\* Height of waterproofing and floor tile

Maximum length up to 1.900 mm on request

#### Order data, ACO ShowerStep Black

Product / Dimensioned drawing	Version	Dimensions			Article no.	
		L [mm]	H1* [mm]	H2 [mm]	Coated surface	
	left	1490	10	36	9010.91.42	
			12.5		9010.86.38	
			15		9010.91.44	
		990	10	9010.91.45		
			12.5	9010.91.46		
			15	9010.91.47		
	right	1490	10	36	9010.91.48	
			12.5		9010.86.39	
			15		9010.91.50	
		990	10	9010.91.51		
			12.5	9010.91.52		
			15	9010.91.53		

\* Height of waterproofing and floor tile

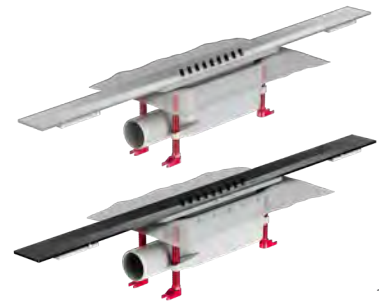
Maximum length up to 1.900 mm on request

2



# Product overview

## Shower channels



**ACO ShowerDrain S+**  
The elegant channel

16



**ACO ShowerDrain C**  
The functional channel

20



**ACO ShowerDrain B**  
The basic channel

30



**ACO ShowerDrain E+**  
The universal channel

32



**ACO ShowerDrain M+**  
The modular channel

36

# ACO ShowerDrain S+

## Surprisingly simple.

Innovative design with perfected features:  
The new ACO ShowerDrain S+ combines elegance and performance in one channel. It combines the design possibilities of a conventional shower channel with the installation advantages of a floor drain. At the same time, it matches all standard tile formats and fits perfectly into bathrooms, especially where a design flush with the niche is desired without lateral tile pieces.

The high-quality shower profile is refined by electropolishing and is available in the color variants stainless steel and black. Easy handling during cleaning ensures a long service life without compromising the existing visual appearance.



reddot winner 2021

### ACO ShowerDrain S+

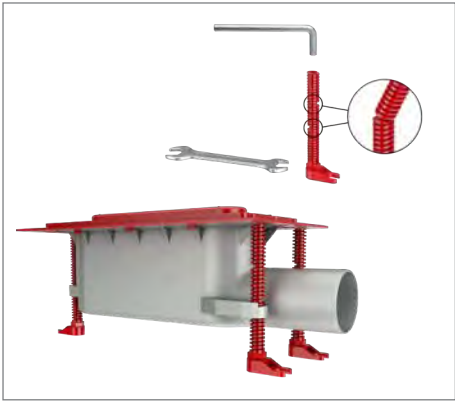
- Unique minimalistic design
- Electro-polished surface for a lasting high-quality appearance
- Shower channel profile for direct installation up to 10 mm tile height, can be extended up to 35 mm
- ACO Pad, alignment support for installation
- tip&flip function, grating removeable without additional aids
- Pre-assembled sealing membrane
- Compliant with noise protection to german standard DIN 4109 and VDI 4100



Functional design.

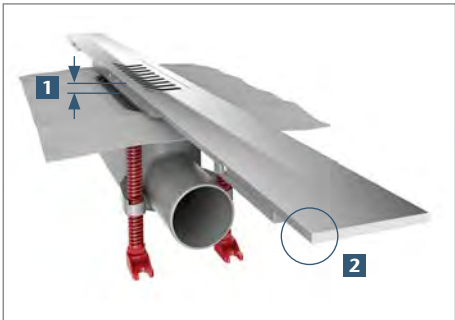
Surprisingly simple.





**Simple to install**

The preassembled sealing membrane (highest water impact class in accordance to the new standard for indoor waterproofing in Germany, DIN 18534-3) ensures reliable compound sealing. During the construction phase, a preassembled protective cover reliably protects it. The protective cover has a pull-off surface to level the screed. The product offers toolless removal of the unused edge for installation directly on the wall. The height adjustment is carried out by means of plastic screws, which can also be shortened toolless if required. The fine adjustment can be done through the use of the adjusting screw at the foot, as well as from above.



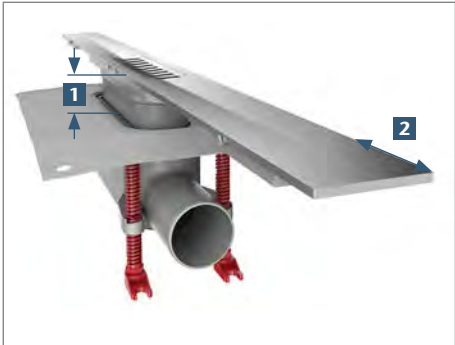
**1** Tile height up to 10 mm  
**2** 4 mm stainless steel, electropolished

**Functional design**

The elegant shower channel profile impresses with its quality. The slope is discreetly highlighted and ensures optimum and easy-to-clean drainage. On site, the profile can be shortened by 80 mm without sacrificing an even profile transition. The installation and alignment of the shower profile is enormously facilitated by a slope compensation piece. For floor tiles up to a height of 10 mm, the shower profile is used without additional shortening work. For floor tiles with heights > 10 mm, the extension piece is used.

**Simple to clean**

With the tip&flip function, the grating can be lifted and removed without additional aids. After removing the hair strainer, the foul air trap can be easily removed for cleaning purposes and you have free access to the pipe. The foul air trap and the floor drain are designed in such a way that generous radii do not create any corners and edges for dirt deposits and no standing water remains in the drain. These characteristics in combination with a high drainage value ensure long-lasting satisfaction.



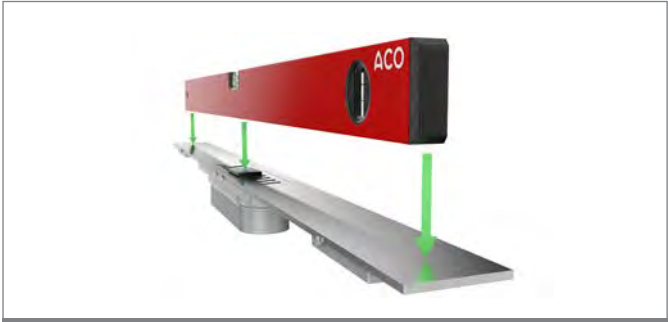
**1** Tile height up to 35 mm  
**2** Level profile transition even after shortening work



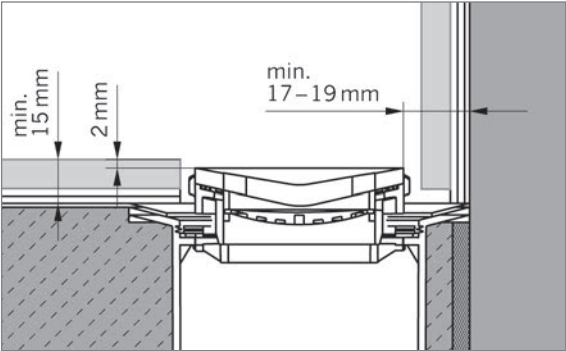
**tip&flip:** The grating can be removed without aids



As a further design highlight, the ACO Shower-Drain S+ is also available with a black PVD coating.



The innovative ACO Pad provides even support points for the bubble level. The alignment of the shower channel profile is not a tippy affair, despite the existing slope.



Important dimensions for the tile design

# ACO ShowerDrain S+

## Product benefits

- Unique minimalistic design
- Electro-polished surface for a lasting high-quality appearance
- Shower channel profile for direct installation up to 10 mm tile height, can be extended up to 35 mm
- ACO Pad, alignment support for installation
- tip&flip function, grating removeable without additional aids
- Pre-assembled sealing membrane
- Compliant with noise protection to german standard DIN 4109 and VDI 4100



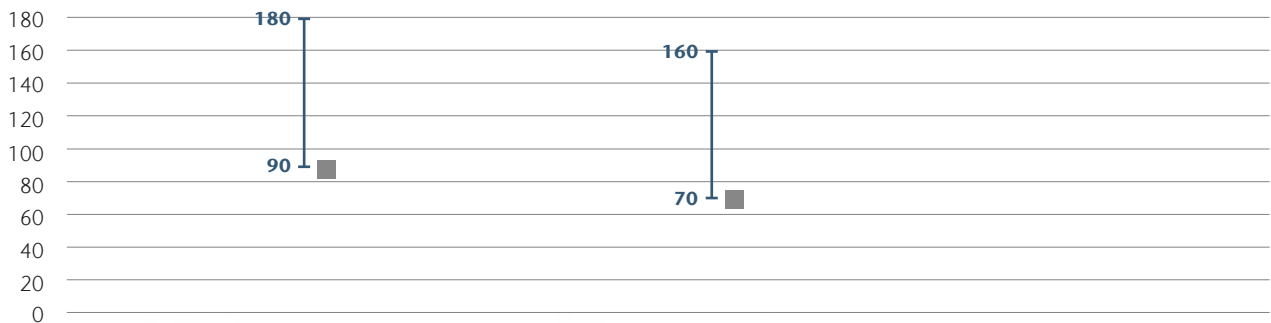
## Product information

- Material shower channel profile: Stainless steel, electro-polished
- Load class: K3 (EN 1253-1)
- Profile width: 55 mm
- Shower channel profile with longitudinal and transverse slope
- Profile can be shortened by 80 mm on site
- Material floor drain: plastic
- Drain socket suitable for all push fit pipe socket systems
- Socket type: ND 50, inclination 1.5°
- Foul air trap: 2-part, removeable
- With pre-assembled sealing membrane
  - For optimum connection of a compound sealing
  - 60 mm overlap
  - Corresponding acc. tensile test of EN 1253-1
- With seepage water openings
- Assembly: modular system consisting of shower channel profile and floor drain

- Scope of delivery: profile with design grating, hair strainer and extension (extension for tile heights from 15 – 35 mm UFL)
- Scope of delivery: Gully with mounting set and protective cover
- Height adjustability: 90 mm
- Flow rate depending on grating and floor drain
- Design Stripes:
  - Floor drain with water seal 50 mm (EN 1253-1)
    - 0.8 l/s with 20 mm build-up
    - 0.7 l/s with 10 mm build-up
  - Floor drain with water seal 30 mm (EN 1253-6)
    - 0.6 l/s with 20 mm build-up
    - 0.5 l/s with 10 mm build-up
- Design Plate:
  - Floor drain with water seal 50 mm (EN 1253-1)
    - 0.6 l/s with 20 mm build-up
    - 0.5 l/s with 10 mm build-up
  - Floor drain with water seal 30 mm (EN 1253-6)
    - 0.5 l/s with 20 mm build-up
    - 0.4 l/s with 10 mm build-up

18

## Installation height (UFL)



Floor drain ND 50  
(WS 50, EN 1253-1)



Floor drain ND 50  
(WS 30, EN 1253-6)

■ Unfinished floor level (UFL)

Order data, shower channel and floor drain

Product / Dimensioned drawing	Description	Article no.
<b>ACO ShowerDrain S+, Design Stripes</b>		
		<ul style="list-style-type: none"> <li>■ 800 x 55 mm 9010.51.01</li> <li>■ 900 x 55 mm 9010.51.02</li> <li>■ 1000 x 55 mm 9010.51.03</li> <li>■ 1200 x 55 mm 9010.51.04</li> </ul>
<b>ACO ShowerDrain S+, Design Plate</b>		
		<ul style="list-style-type: none"> <li>■ 800 x 55 mm 9010.51.11</li> <li>■ 900 x 55 mm 9010.51.12</li> <li>■ 1000 x 55 mm 9010.51.13</li> <li>■ 1200 x 55 mm 9010.51.14</li> </ul>
<b>ACO ShowerDrain S+ Black, Design Stripes</b>		
		<ul style="list-style-type: none"> <li>■ 800 x 55 mm 9010.51.41</li> <li>■ 900 x 55 mm 9010.51.42</li> <li>■ 1000 x 55 mm 9010.51.43</li> <li>■ 1200 x 55 mm 9010.51.44</li> </ul>
<b>ACO ShowerDrain S+ Black, Design Plate</b>		
		<ul style="list-style-type: none"> <li>■ 800 x 55 mm 9010.51.51</li> <li>■ 900 x 55 mm 9010.51.52</li> <li>■ 1000 x 55 mm 9010.51.53</li> <li>■ 1200 x 55 mm 9010.51.54</li> </ul>
<b>Floor drain</b>		
		<ul style="list-style-type: none"> <li>■ ND 50</li> <li>■ Water seal: 50 mm (EN 1253-1)</li> <li>■ Installation height: 90–180 mm (UFL)</li> </ul>
		<ul style="list-style-type: none"> <li>■ ND 50</li> <li>■ Water seal: 30 mm (EN 1253-6)</li> <li>■ Installation height: 70–160 mm (UFL)</li> </ul>

# ACO ShowerDrain C

Powerful, robust, easy to clean!

ACO ShowerDrain C is the object channel from ACO Building Drainage and stands for modern design and perfect functionality. The basis is the high-quality stainless steel used to manufacture the shower channel itself, the gully and the design grating. The hydroformed drain body is the main characteristic. The production process of the drain body, also called hydroforming, enables pipe forming into complex three-dimensional shapes.

In order to increase the already considerable drainage performance of ShowerDrain C, a bulbous shape with

large radii and smooth surfaces on the outside as well as on the inside has been created. The drain gully is firmly welded to the channel and guarantees a permanent seal. Other highlights of the ACO ShowerDrain C include its minimum installation height from 57 mm to the top edge of the screed, compliance with all sound insulation levels (SSt I-III according to VDI 4100), the pre-assembled sealing membrane (W3-I-compliant to the german standard DIN 18534) and free access to the pipe.

## ACO ShowerDrain C

- High drainage capacity
- Minimum installation height: 57 mm (EN1253-6)
- Factory-welded hydro-shaped gully, guarantees permanent tightness
- Removable foul air trap for optimal cleaning
- Free access to the pipe for optimal cleaning
- Meets requirements of all sound protection levels (SSt I-III in acc. with VDI 4100)



High flow rate &

low installation height



Optional with a factory-fitted sealing collar (W3-I compliant in accordance with german standard DIN 18534)

The visible width of the ACO ShowerDrain C is 70 mm. Different versions are available: with a surrounding flange, with a wall flange and without a flange. Shower channels with a surrounding flange or wall flange are available without/and with a pre-assembled sealing membrane, which ensures reliable sealing in the compound sealing. All shower channels with a pre-assembled sealing membrane meet the requirements of the highest water impact class W3-I, according to the new german standard "Waterproofing of interiors" (german standard DIN 18534-3). Due to the flexible material, a high level of safety is guaranteed when bridging cracks between the shower channel and the settling screed. The ACO ShowerDrain C has a fixed tile frame, without openings for secondary drainage.



High drainage capacity due to the hydroformed gully

With the new drain gully, the channel achieves a very high drainage capacity despite its low installation height and narrow shape: up to 0.91 l/s (tested in accordance to EN 1253-1). The ACO ShowerDrain C is delivered completely pre-assembled, the channel and drain gully are guaranteed to be tightly welded. The material hardness reduces scratches and signs of use and is resistant to common cleaning agents. The high-quality appearance of the surface is convincing with low dirt adhesion and high ease of cleaning.



Easy removal of the foul air trap through integrated tabs



Two-part foul air trap and access to the pipe ensure an optimal cleaning

Long-lasting satisfaction is not only ensured by drainage performance and durable surfaces. It is often the small details, that make unpopular, but necessary cleaning tasks easier. The new foul air trap has two outer tabs that allow it to be removed without reaching into the trap, making cleaning more hygienic.

Once the foul air trap is removed, it can be easily disassembled into two parts, cleaned and reassembled. In addition, you have full access to the pipe for any necessary maintenance work. For special areas of use, e.g. hotels with seasonal operation, the shower channel can be retrofitted with the ACO EasyStop. The ACO EasyStop has a membrane insert that prevents the water seal in the foul air trap from drying out.



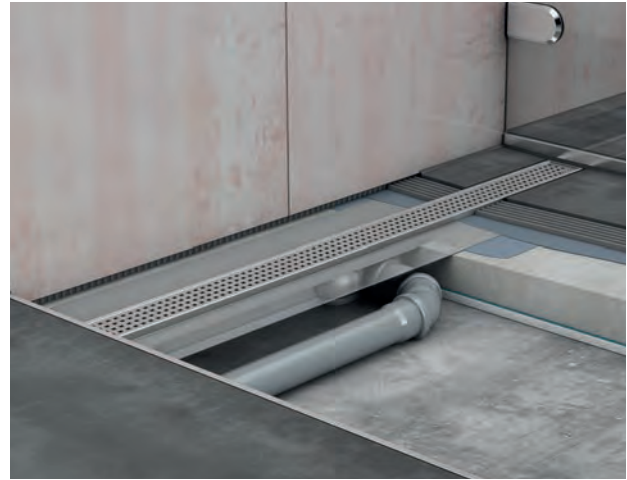
Black coating as design highlight

As a further design highlight, the ACO ShowerDrain C is also available with black coating.

# ACO ShowerDrain C

## Product benefits

- High drainage capacity
- Minimum installation height: 57 mm
- Factory-welded hydro-shaped gully, guarantees permanent tightness
- Removable foul air trap for optimal cleaning
- Free access to the pipe for optimal cleaning
- Meets requirements of all sound protection levels (SSt I-III in acc. with VDI 4100)



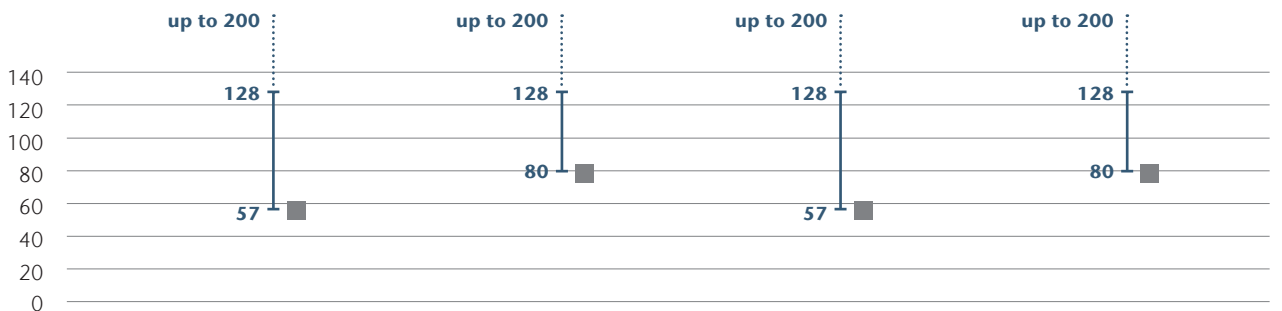
## Product information

- Material: Stainless steel
- Load class: K3
- Visible channel width: 70 mm
- Flow rate:
  - Gully with water seal 50 mm (EN 1253-1)
    - 0.7 l/s with 10 mm build-up
    - 0.9 l/s with 20 mm build-up
  - Gully with water seal 25 mm (EN 1253-6)
    - 0.5 l/s with 10 mm build-up
    - 0.6 l/s with 20 mm build-up
- Outlet: Suitable for all push-fit pipe outlet systems
- Outlet version: ND 40/ND 50

- Foul air trap: 2-part, removable
- Flange types: surrounding flange with sealing membrane, surrounding flange, wall flange, without flange
- Without seepage water openings
- Channel body: Pickle passivated, powder coated (black)
- Mounting: Ready for installation
- Sound protection (as standard)
- Height adjustability: 48 respectively 74 mm using height-adjustable feet (to be ordered as an accessory)
- Grating variants: Stainless steel design gratings, tileable cover
- Supplementary components: ACO ShowerStep and ACO EasyStop

## Installation heights ACO ShowerDrain C/C black

(\* up to 200 mm using mounting bracket 9010.88.58, details see p. 27)



■ unfinished floor level (UFL)



Gully ND 40  
(WS 25, EN 1253-6)



Gully ND 50  
(WS 50, EN 1253-1)


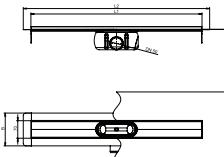

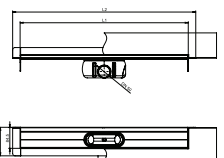

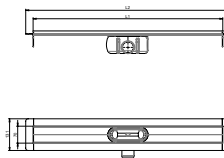

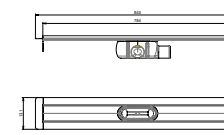

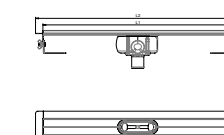


Gully ND 50  
(WS 25, EN 1253-6)


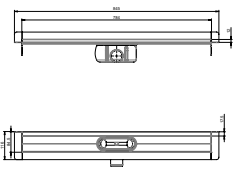

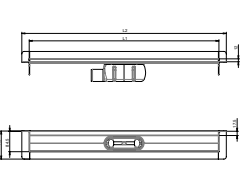

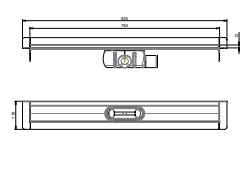

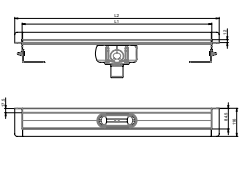

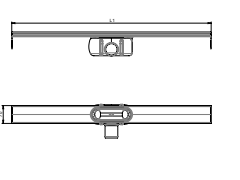


Gully ND 50  
(WS 50, EN 1253-1)


Order data, shower channel

Product	Dimensioned drawing	Description	Dimensions			Article no.
			L1 [mm]	L2 [mm]	B [mm]	
<b>Gully WS 50, surrounding flange with sealing membrane, outlet horizontal / central</b>						
		<ul style="list-style-type: none"> <li>■ Water seal: 50 mm</li> <li>■ ND 50 (EN 1253-1)</li> <li>■ Installation height (UFL): 80 – 128 mm (frame height 12 mm)</li> <li>■ overlap of the sealing membrane: 60 mm</li> </ul>	685	745	130	9010.85.20
			785	845	130	9010.85.21
			885	945	130	9010.85.22
			985	1045	130	9010.85.23
			1185	1245	130	9010.85.24
<b>Gully WS 50, wall flange with sealing membrane, outlet horizontal / central</b>						
		<ul style="list-style-type: none"> <li>■ Water seal: 50 mm</li> <li>■ ND 50 (EN 1253-1)</li> <li>■ Installation height (UFL): 80 – 128 mm (frame height 12 mm)</li> <li>■ overlap of the sealing membrane: 60 mm</li> </ul>	685	745	122	9010.85.30
			785	845	122	9010.85.31
			885	945	122	9010.85.32
			985	1045	122	9010.85.33
			1185	1245	122	9010.85.34
<b>Gully WS 50, surrounding flange, outlet horizontal / central</b>						
		<ul style="list-style-type: none"> <li>■ Water seal: 50 mm</li> <li>■ ND 50 (EN 1253-1)</li> <li>■ Installation height (UFL): 80 – 128 mm (frame height 12 mm)</li> </ul>	585	645	130	9010.88.00
			685	745	130	9010.88.01
			785	845	130	9010.88.02
			885	945	130	9010.88.03
			985	1045	130	9010.88.04
			1085	1145	130	9010.88.05
1185	1245	130	9010.88.06			
<b>Gully WS 50, surrounding flange, outlet horizontal / lateral</b>						
		<ul style="list-style-type: none"> <li>■ Water seal: 50 mm</li> <li>■ ND 50 (EN 1253-1)</li> <li>■ Installation height (UFL): 80 – 128 mm (frame height 12 mm)</li> </ul>	585	645	130	9010.92.00
			685	745	130	9010.92.01
			785	845	130	9010.92.02
			885	945	130	9010.92.03
			985	1045	130	9010.92.04
			1085	1145	130	9010.92.05
1185	1245	130	9010.92.06			
<b>Gully WS 50, surrounding flange, outlet vertical</b>						
		<ul style="list-style-type: none"> <li>■ Water seal: 50 mm</li> <li>■ ND 50 (EN 1253-1)</li> <li>■ Installation height (UFL): 80 – 128 mm (frame height 12 mm)</li> </ul>	585	645	130	9010.92.43
			685	745	130	9010.92.44
			785	845	130	9010.92.45
			885	945	130	9010.92.46
			985	1045	130	9010.88.46
			1085	1145	130	9010.88.47
1185	1245	130	9010.88.48			


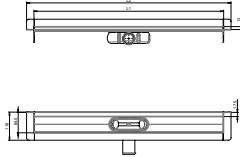

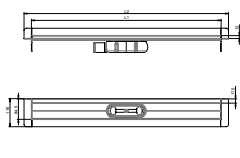

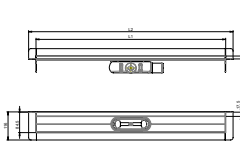

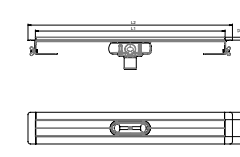

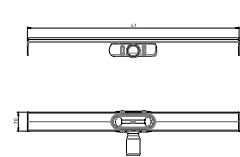
Order data, shower channel

Product	Dimensioned drawing	Description	Dimensions			Article no.
			L1 [mm]	L2 [mm]	B [mm]	
<b>Gully WS 50, wall flange outlet horizontal / central</b>						
		<ul style="list-style-type: none"> <li>■ Water seal: 50 mm</li> <li>■ ND 50 (EN 1253-1)</li> <li>■ Installation height (UFL): 80 – 128 mm (frame height 12 mm)</li> </ul>	585	645	122	9010.88.07
			685	745	122	9010.88.08
			785	845	122	9010.88.09
			885	945	122	9010.88.10
			985	1045	122	9010.88.11
			1085	1145	122	9010.88.12
<b>Gully WS 50, wall flange, outlet horizontal / lateral</b>						
		<ul style="list-style-type: none"> <li>■ Outlet on the left side</li> <li>■ Water seal: 50 mm</li> <li>■ ND 50 (EN 1253-1)</li> <li>■ Installation height (UFL): 80 – 128 mm (frame height 12 mm)</li> </ul>	585	645	122	9010.92.14
			685	745	122	9010.92.16
			785	845	122	9010.92.18
			885	945	122	9010.92.20
			985	1045	122	9010.92.22
			1085	1145	122	9010.92.24
		<ul style="list-style-type: none"> <li>■ Outlet on the right side</li> <li>■ Water seal: 50 mm</li> <li>■ ND 50 (EN 1253-1)</li> <li>■ Installation height (UFL): 80 – 128 mm (frame height 12 mm)</li> </ul>	585	645	122	9010.92.15
			685	745	122	9010.92.17
			785	845	122	9010.92.19
			885	945	122	9010.92.21
			985	1045	122	9010.92.23
			1085	1145	122	9010.92.25
<b>Gully WS 50, wall flange, outlet vertical</b>						
		<ul style="list-style-type: none"> <li>■ Water seal: 50 mm</li> <li>■ ND 50 (EN 1253-1)</li> <li>■ Installation height (UFL): 80 – 128 mm (frame height 12 mm)</li> </ul>	585	645	122	9010.91.80
			685	745	122	9010.91.81
			785	845	122	9010.91.82
			885	945	122	9010.91.83
			985	1045	122	9010.91.84
			1085	1145	122	9010.91.85
<b>Gully WS 50, without flange, outlet horizontal / central</b>						
		<ul style="list-style-type: none"> <li>■ Water seal: 50 mm</li> <li>■ ND 50 (EN 1253-1)</li> <li>■ Installation height (UFL): 80 – 128 mm (frame height 12 mm)</li> </ul>	585	–	70	9010.88.14
			685	–	70	9010.88.15
			785	–	70	9010.88.16
			885	–	70	9010.88.17
			985	–	70	9010.88.18
			1085	–	70	9010.88.19
1185	–	70	9010.88.20			









Product	Dimensioned drawing	Description	Dimensions			Article no.
			L1 [mm]	L2 [mm]	B [mm]	
<b>Gully WS 25, surrounding flange with sealing membrane, outlet horizontal / central</b>						
		<ul style="list-style-type: none"> <li>■ Water seal: 25 mm</li> <li>■ ND 40 (EN 1253-6)</li> <li>■ Installation height (UFL): 57 – 128 mm (frame height 12 mm)</li> </ul>	685	745	130	9010.85.40
			785	845	130	9010.85.41
			885	945	130	9010.85.42
			985	1045	130	9010.85.43
			1185	1245	130	9010.85.44
<b>Gully WS 25, wall flange with sealing membrane, outlet horizontal / central</b>						
		<ul style="list-style-type: none"> <li>■ Water seal: 25 mm</li> <li>■ ND 40 (EN 1253-6)</li> <li>■ Installation height (UFL): 57 – 128 mm (frame height 12 mm)</li> </ul>	685	745	122	9010.85.50
			785	845	122	9010.85.51
			885	945	122	9010.85.52
			985	1045	122	9010.85.53
			1185	1245	122	9010.85.54
<b>Gully WS 25, surrounding flange, outlet horizontal / central</b>						
		<ul style="list-style-type: none"> <li>■ Water seal: 25 mm</li> <li>■ ND 50 (EN 1253-6)</li> <li>■ Installation height (UFL): 57 – 128 mm (frame height 12 mm)</li> </ul>	585	645	130	9010.88.21
			685	745	130	9010.88.22
			785	845	130	9010.88.23
			885	945	130	9010.88.24
			985	1045	130	9010.88.25
			1085	1145	130	9010.88.26
			1185	1245	130	9010.88.27
<b>Gully WS 25, surrounding flange, outlet horizontal / lateral</b>						
		<ul style="list-style-type: none"> <li>■ Water seal: 25 mm</li> <li>■ ND 40 (EN 1253-6)</li> <li>■ Installation height (UFL): 57 – 128 mm (frame height 12 mm)</li> </ul>	585	645	130	9010.92.07
			685	745	130	9010.92.08
			785	845	130	9010.92.09
			885	945	130	9010.92.10
			985	1045	130	9010.92.11
			1085	1145	130	9010.92.12
			1185	1245	130	9010.92.13
<b>Gully WS 25, surrounding flange, outlet vertical</b>						
		<ul style="list-style-type: none"> <li>■ Water seal: 25 mm</li> <li>■ ND 50 (EN 1253-6)</li> <li>■ Installation height (UFL): 57 – 128 mm (frame height 12 mm)</li> </ul>	585	645	130	9010.88.49
			685	745	130	9010.88.50
			785	845	130	9010.88.51
			885	945	130	9010.88.52
			985	1045	130	9010.88.53
			1085	1145	130	9010.88.54
			1185	1245	130	9010.88.55

## Order data, shower channel




Product	Dimensioned drawing	Description	Dimensions			Article no.
			L1 [mm]	L2 [mm]	B [mm]	
<b>Gully WS 25, wall flange, outlet horizontal / central</b>						
		<ul style="list-style-type: none"> <li>■ Water seal: 25 mm</li> <li>■ ND 50 (EN 1253-6)</li> <li>■ Installation height (UFL): 57 – 128 mm (frame height 12mm)</li> </ul>	585	645	122	9010.88.28
			685	745	122	9010.88.29
			785	845	122	9010.88.30
			885	945	122	9010.88.31
			985	1045	122	9010.88.32
			1085	1145	122	9010.88.33
1185	1245	122	9010.88.34			
<b>Gully WS 25, wall flange, outlet horizontal / lateral</b>						
		<ul style="list-style-type: none"> <li>■ Outlet on the left side</li> <li>■ Water seal: 25 mm</li> <li>■ ND 40 (EN 1253-6)</li> <li>■ Installation height (UFL): 57 – 128 mm (frame height 12 mm)</li> </ul>	585	645	122	9010.92.28
			685	745	122	9010.92.30
			785	845	122	9010.92.32
			885	945	122	9010.92.34
			985	1045	122	9010.92.36
			1085	1145	122	9010.92.38
1185	1245	122	9010.92.40			
		<ul style="list-style-type: none"> <li>■ Outlet on the right side</li> <li>■ Water seal: 25 mm</li> <li>■ ND 40 (EN 1253-6)</li> <li>■ Installation height (UFL): 57 – 128 mm (frame height 12 mm)</li> </ul>	585	645	122	9010.92.29
			685	745	122	9010.92.31
			785	845	122	9010.92.33
			885	945	122	9010.92.35
			985	1045	122	9010.92.37
			1085	1145	122	9010.92.39
1185	1245	122	9010.92.41			
<b>Gully WS 25, wall flange, outlet vertical</b>						
		<ul style="list-style-type: none"> <li>■ Water seal: 25 mm</li> <li>■ ND 50 (EN 1253-6)</li> <li>■ Installation height (UFL): 57 – 128 mm (frame height 12 mm)</li> </ul>	585	645	122	9010.91.87
			685	745	122	9010.91.88
			785	845	122	9010.91.89
			885	945	122	9010.91.90
			985	1045	122	9010.91.91
			1085	1145	122	9010.91.92
1185	1245	122	9010.91.93			
<b>Gully WS 25, without flange, outlet horizontal / central</b>						
		<ul style="list-style-type: none"> <li>■ Water seal: 25 mm</li> <li>■ ND 50 (EN 1253-6)</li> <li>■ Installation height (UFL): 57 – 128 mm (frame height 12 mm)</li> </ul>	585	–	70	9010.88.35
			685	–	70	9010.88.36
			785	–	70	9010.88.37
			885	–	70	9010.88.38
			985	–	70	9010.88.39
			1085	–	70	9010.88.40
1185	–	70	9010.88.41			

## Order data, design gratings

Products	Design	Article no.						
		585 mm	685 mm	785 mm	885 mm	985 mm	1085 mm	1185 mm
	Wave	9010.88.60	9010.88.61	9010.88.62	9010.88.63	9010.88.64	9010.88.65	9010.88.66
	Square	9010.88.67	9010.88.68	9010.88.69	9010.88.70	9010.88.71	9010.88.72	9010.88.73
	Tile*	9010.88.81	9010.88.82	9010.88.83	9010.88.84	9010.88.85	9010.88.86	9010.88.87
	Massive	9010.88.88	9010.88.89	9010.88.90	9010.88.91	9010.88.92	9010.88.93	9010.88.94
	Slot	9010.88.74	9010.88.75	9010.88.76	9010.88.77	9010.88.78	9010.88.79	9010.88.80
	Piano	9010.87.56	9010.87.57	9010.87.58	9010.87.59	9010.87.60	9010.88.95	9010.87.61

\* tileable up to H=10 mm, tile height incl. tile adhesive

## Order data, accessories

Product	Name	Description	Article no.
	ACO EasyStop ND 40	■ Prevents drying out of the water in the foul air trap	9010.79.23
	ACO EasyStop ND 50	■ Material: plastic with membrane and sealing lip ■ Applicable for ACO ShowerDrain C	9010.79.24
	ACO Mounting bracket	■ Incl. sound insulation and fixing material	9010.88.56
		■ For heights from 120–200 mm (UFL) ■ Incl. sound insulation and fixing material	9010.88.58
	Hair strainer	■ For the prevention of pipe blockage due to hair ■ Made from plastic ■ Simple to removal and cleaning ■ For retrofitting ■ Reduces flow rate by 0.2 l/s	9010.88.59



Individual design up to 1.800 mm channel length, multi-sided wall fange, additional drains, lateral spigot arrangement or electropolished surface are available on request.



ACO Building Drainage


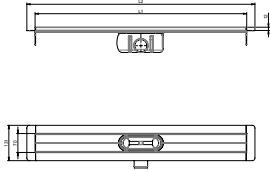

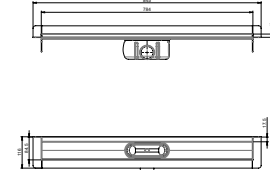
# ACO ShowerDrain C Black

## Product benefits

- Black coated shower channel including a black design grating
- High drainage capacity
- Minimum installation height: 57 mm
- Meets requirements of all sound protection levels (SSt I-III in acc. with VDI 4100)
- Factory-welded hydro-shaped gully, guarantees permanent tightness
- Removable foul air trap for optimal cleaning
- Free access to the pipeline for optimal cleaning
- Flange not coated for optimal connection to the tile glue




Order data, shower channel with massive grating

Product	Dimensioned drawing	Description	Dimensions			Article no.
			L1 [mm]	L2 [mm]	B [mm]	
<b>Gully WS 50, surrounding flange, outlet horizontal / central</b>						
		<ul style="list-style-type: none"> <li>■ Water seal: 50 mm</li> <li>■ ND 50 (EN 1253-1)</li> <li>■ Installation height (UFL): 80 – 128 mm (frame height 12 mm)</li> </ul>	585	645	130	9010.91.00
			685	745	130	9010.91.01
			785	845	130	9010.91.02
			885	945	130	9010.91.03
			985	1045	130	9010.91.04
			1085	1145	130	9010.91.05
1185	1245	130	9010.91.06			
<b>Gully WS 50, wall flange, outlet horizontal / central</b>						
		<ul style="list-style-type: none"> <li>■ Water seal: 50 mm</li> <li>■ ND 50 (EN 1253-1)</li> <li>■ Installation height (UFL): 80 – 128 mm (frame height 12 mm)</li> </ul>	585	645	122	9010.91.14
			685	745	122	9010.91.15
			785	845	122	9010.91.16
			885	945	122	9010.91.17
			985	1045	122	9010.91.18
			1085	1145	122	9010.91.19
1185	1245	122	9010.91.20			

Order data, shower channel and massive grating

Product	Dimensioned drawing	Description	Dimensions			Article no.
			L1 [mm]	L2 [mm]	B [mm]	
<b>Gully WS 50, without flange, outlet horizontal / central</b>						
		<ul style="list-style-type: none"> <li>■ Water seal: 50 mm</li> <li>■ ND 50 (EN 1253-1)</li> <li>■ Installation height (UFL): 80 – 128 mm (frame height 12 mm)</li> </ul>	585	–	70	9010.91.28
			685	–	70	9010.91.29
			785	–	70	9010.91.30
			885	–	70	9010.91.31
			985	–	70	9010.91.32
			1085	–	70	9010.91.33
1185	–	70	9010.91.34			
<b>Gully WS 25, surrounding flange, outlet horizontal / central</b>						
		<ul style="list-style-type: none"> <li>■ Water seal: 25 mm</li> <li>■ ND 50 (EN 1253-6)</li> <li>■ Installation height (UFL): 57 – 128 mm (frame height 12 mm)</li> </ul>	585	645	130	9010.91.07
			685	745	130	9010.91.08
			785	845	130	9010.91.09
			885	945	130	9010.91.10
			985	1045	130	9010.91.11
			1085	1145	130	9010.91.12
1185	1245	130	9010.91.13			
<b>Gully WS 25, wall flange, outlet horizontal / central</b>						
		<ul style="list-style-type: none"> <li>■ Water seal: 25 mm</li> <li>■ ND 50 (EN 1253-6)</li> <li>■ Installation height (UFL): 57 – 128 mm (frame height 12 mm)</li> </ul>	585	645	122	9010.91.21
			685	745	122	9010.91.22
			785	845	122	9010.91.23
			885	945	122	9010.91.24
			985	1045	122	9010.91.25
			1085	1145	122	9010.91.26
1185	1245	122	9010.91.27			
<b>Gully WS 25, without flange, outlet horizontal / central</b>						
		<ul style="list-style-type: none"> <li>■ Water seal: 25 mm</li> <li>■ ND 50 (EN 1253-6)</li> <li>■ Installation height (UFL): 57 – 128 mm (frame height 12 mm)</li> </ul>	585	–	70	9010.91.35
			685	–	70	9010.91.36
			785	–	70	9010.91.37
			885	–	70	9010.91.38
			985	–	70	9010.91.39
			1085	–	70	9010.91.40
1185	–	70	9010.91.41			

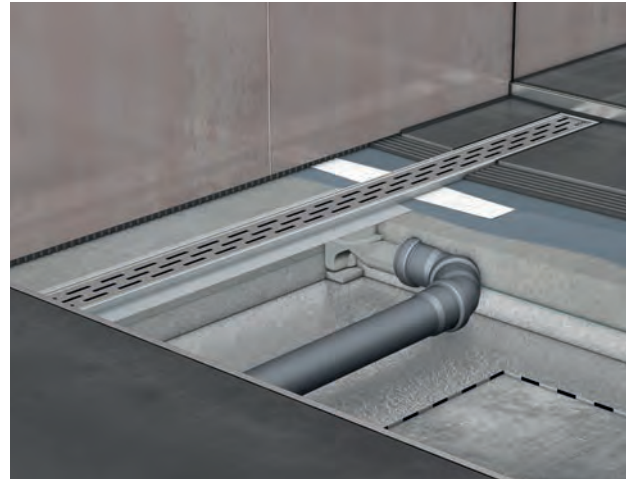
Order data, design gratings (replacement parts)

Products	Design	Article no.						
		585 mm	685 mm	785 mm	885 mm	985 mm	1085 mm	1185 mm
	Massive	9010.89.22	9010.88.96	9010.88.97	9010.88.98	9010.88.99	9010.89.00	9010.89.21

# ACO ShowerDrain B

## Product benefits



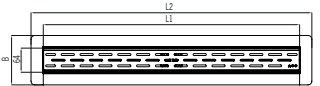
- Minimum building height: 77 mm, unfinished floor level
- Smooth surface for optimal cleaning
- Full access to pipeline for optimum cleaning
- Stainless steel channel with screwed plastic gully, no risk of leakage
- 2 in 1 spigot with ND 40 and ND 50




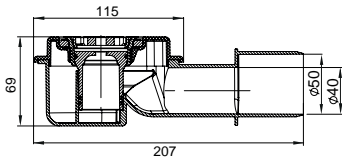

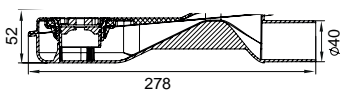

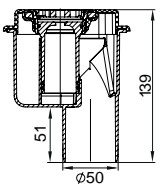
## Product information

- Material:
  - Channel body: Stainless steel
  - Gully body: Plastic
- Load class: K3
- Visible channel width: 70 mm
- Flow rate:
  - 0.4 l/s (with 10 mm build-up)
  - 0.46 l/s (with 20 mm build-up as per EN 1253-6)
- Outlet: Suitable for all push-fit pipe outlet systems
- Outlet version: ND 40/50
- Foul air trap: 1-piece with removable submersible pipe
- Flange design: Permanently cast-on, for optimum connection of a compound seal
- Flange types: Surrounding, without seepage water openings
- Mounting: Ready for installation
- Total installation height: 89 mm (with water seal 30 mm)
- Channel: Pickle passivated
- Grating: Grinded
- Grating variant: Design Slot included in scope of delivery
- Supplementary components: ACO ShowerStep and different gully bodies


Order data, shower channels with grating and plastic gullies

Product	Dimensioned drawing	Dimensions			Article no.
		L1 [mm]	L2 [mm]	B [mm]	
<b>Installation height UFL: 77 mm (frame height: 12 mm)</b>					
		685	745	130	9010.78.70
		785	845	130	9010.78.71
		885	945	130	9010.78.72
		985	1045	130	9010.78.73

Order data, gully body

Product	Dimensioned drawing	Description	Article no.
		<ul style="list-style-type: none"> <li>Water seal: 50 mm</li> <li>Flow rate: 0.46 l/s (with 20 mm water build-up)</li> <li>Installation height UFL: 97 mm</li> <li>ND 40/50 (EN1253-1)</li> </ul>	9010.81.20
		<ul style="list-style-type: none"> <li>Water seal: 25 mm</li> <li>Flow rate: 0.46 l/s (with 20 mm water build-up)</li> <li>Installation height UFL: 54 mm</li> <li>ND 40 (EN 1253-6)</li> </ul>	9010.81.22
		<ul style="list-style-type: none"> <li>Water seal: 50 mm</li> <li>Flow rate: 0.46 l/s (with 20 mm water build-up)</li> <li>ND 50 (EN 1253-1)</li> </ul>	9010.81.23

Order data, accessories

Product	Designation	Description	Article no.
	Hair strainer	<ul style="list-style-type: none"> <li>For the prevention of pipe blockage due to hair</li> <li>Made from plastic</li> <li>Simple to removal and cleaning</li> <li>For retrofitting</li> <li>Reduces flow rate by 0.2 l/s</li> </ul>	9010.81.24

## ACO ShowerDrain E+

Seepage water yes or no? Stay flexible and decide on site!

Spacious bathrooms at flush floor level are increasingly in demand. ACO Building Drainage provides new, easy to assemble as well as clever solutions for these areas with ShowerDrain E+. The result: significantly simplified installation for you. For the building owner, convincing design in every detail. At the same time, we at ACO Building Drainage attach great importance to absolute reliability. All in all, a product range with which we contribute to you as an installer, always having the right system to hand for every installation situation.

Ceramic floor coverings? Or natural stone? One can decide directly on the construction site for how the tiling should look after installation of the shower channel. Also typical for ShowerDrain E+: You can decide on site whether the waterproofing should be done with or without seepage openings. This makes your work easier and makes the channel the right solution for new buildings and renovations. ACO ShowerDrain E+ meets all requirements according to EN 1253-1 as well as the highest water impact class W3-I according to the German standard DIN 18534, which means it can be used in private and public areas.

### ACO ShowerDrain E+

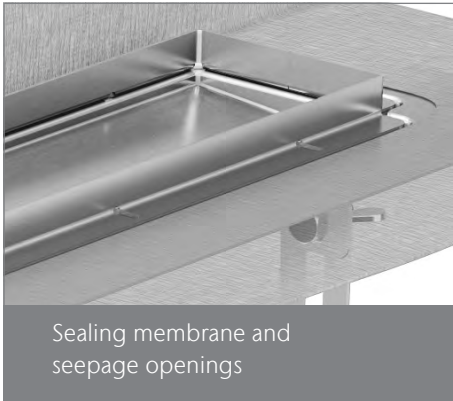
- Option for secondary drainage
- Pre-assembled sealing membrane
- Fulfills all sound insulation levels (SSt I-III to VDI 4100)
- Superior finish due to electro-polished channel and grating
- Barrier free access to pipeline due to removable foul air trap
- Gully is welded to channel body
- Easy to handle and easy to clean



Installing? Simple!

Waterproofing? Guaranteed!





Sealing membrane and seepage openings

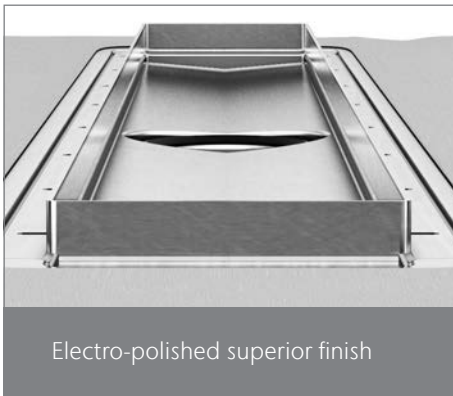
The pre-assembled sealing membrane ensures reliable compound sealing. This means that the shower channels meet the requirements of the highest water impact class W3-I, in accordance with the new German standard for waterproofing interiors (german standard DIN 18534-3). Due to the elastic material, a high level of safety is guaranteed when cracks bridging between the shower channel and the settling screed. The integrated, optional secondary drainage system also permits rapid drying of natural stone floor coverings through the seepage openings. If required, these can be closed during waterproofing process. (See also figure on page 36).



Completely pre-assembled and guaranteed leakproof

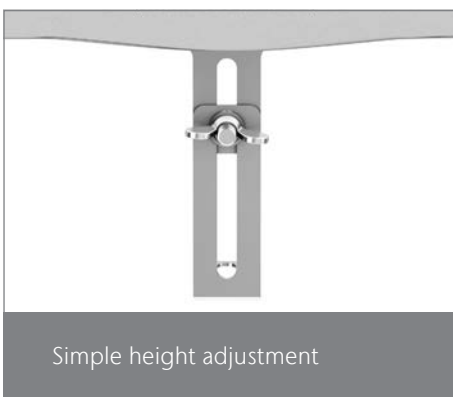
The outlet is arranged laterally and thus guarantees sufficient screed coverage for the pipe. In addition, special solutions and a vertical version are available.

The ACO ShowerDrain E+ is supplied as completely pre-assembled. This eliminates the need for cumbersome assembly. The stainless steel drain gully is welded tightly to the channel body at the factory.



Electro-polished superior finish

The installation advantages are complemented by the high-quality and timeless aesthetics of the electro-polished surface. The integrated tile frame supports the preparation of the tile covering and ensures an even tile finish. Round shapes and even surfaces ensure both a harmonious design and easy cleaning. The surface is also particularly resistant to cleaning agents. The foul air trap allows free pipe access and thus easy cleaning.



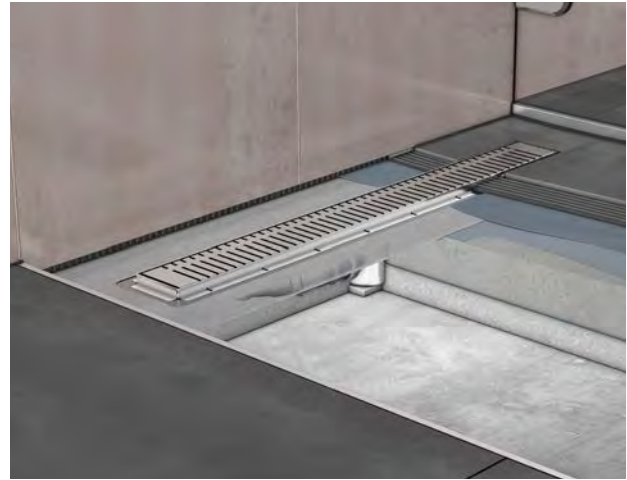
Simple height adjustment

Adjust the channel to the respective floor level with the help of adjusting screws.

# ACO ShowerDrain E+

## Product benefits

- Option for secondary drainage
- Pre-assembled sealing membrane
- Fulfills all sound insulation levels (SSSt I-III to VDI 4100)
- Superior finish due to electro-polished channel and grating
- Barrier free access to pipeline due to removable foul air trap
- Gully is welded to channel body
- Easy to handle and easy to clean

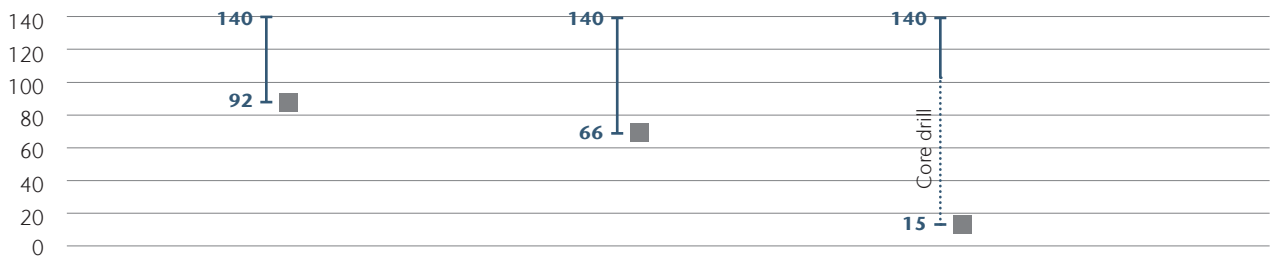


## Product information

- Material: Stainless steel
- Load class: Meets K3 requirements
- Visible channel width: 84 mm
- Flow rate:
  - 0.4 l/s (without 10 mm build-up)
  - 0.6 l/s (with 20 mm build-up as per EN 1253-1)
  - Drain performance can be enhanced by using additional gully bodies
- Outlet: Suitable for all push-fit pipe outlet systems
- Outlet version: ND 40/ND 50
- Foul air trap: 2-part, removable

- Flange design: Pre-assembled and sealing membrane (overlap 60 mm)
- Flange types: Surrounding, wall flange
- With seepage water openings
- Channel: Electro-polished surface
- Mounting: Ready for installation
- Sound protection: Sound protection accessories integrated as standard
- Total building height:
  - 79 mm (with water seal 25 mm)
  - 105 mm (with water seal 50 mm)
- Height adjustability: 48 to 74 mm using height adjustable feet
- Grating variants: Stainless steel, tileable
- Supplementary components: ACO ShowerStep, Hair strainer and ACO EasyStop

## Installation heights UFL (unfinished floor level)



Gully ND 50  
(WS 50, EN 1253-1)


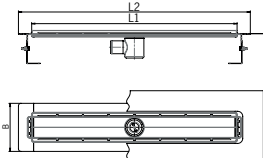

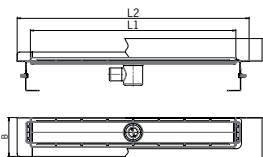

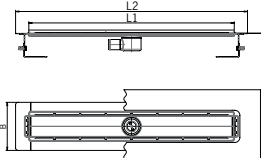

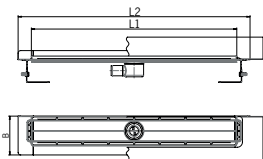

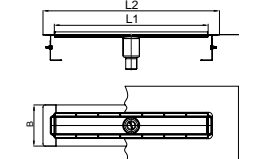

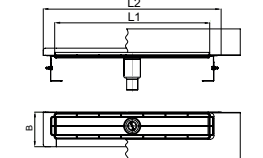


Gully ND 40  
(WS 25, EN 1253-6)



Gully ND 50  
(WS 50, EN 1253-1)

Order data, shower channel

Product	Dimensioned drawing	Description	Dimensions			Article no.
			L1 [mm]	L2 [mm]	B [mm]	
<b>Installation height UFL: 92–140 mm (frame height 12 mm)*</b>						
		<ul style="list-style-type: none"> <li>■ Without wall flange</li> <li>■ Water seal: 50 mm</li> <li>■ ND 50</li> </ul>	600	700	187	9010.77.30
			700	800	187	9010.77.00
			800	900	187	9010.77.01
			900	1000	187	9010.77.02
			1000	1100	187	9010.77.03
			1200	1300	187	9010.77.04
		<ul style="list-style-type: none"> <li>■ Wall flange at rear</li> <li>■ Water seal: 50 mm</li> <li>■ ND 50</li> </ul>	600	700	187	9010.77.31
			700	800	155	9010.77.05
			800	900	155	9010.77.06
			900	1000	155	9010.77.07
			1000	1100	155	9010.77.08
			1200	1300	155	9010.77.09
<b>Installation height UFL: 66–140 mm (frame height 12 mm)**</b>						
		<ul style="list-style-type: none"> <li>■ Without wall flange</li> <li>■ Water seal: 25 mm</li> <li>■ ND 40</li> </ul>	600	700	187	9010.77.32
			700	800	187	9010.77.10
			800	900	187	9010.77.11
			900	1000	187	9010.77.12
			1000	1100	187	9010.77.13
			1200	1300	187	9010.77.14
		<ul style="list-style-type: none"> <li>■ Wall flange at rear</li> <li>■ Water seal: 25 mm</li> <li>■ ND 40</li> </ul>	600	700	187	9010.77.33
			700	800	155	9010.77.15
			800	900	155	9010.77.16
			900	1000	155	9010.77.17
			1000	1100	155	9010.77.18
			1200	1300	155	9010.77.19
<b>Installation height UFL: 15–140 mm (frame height 12 mm)*</b>						
		<ul style="list-style-type: none"> <li>■ Without wall flange</li> <li>■ Water seal: 50 mm</li> <li>■ ND 50</li> </ul>	600	700	187	9010.77.34
			700	800	187	9010.77.20
			800	900	187	9010.77.21
			900	1000	187	9010.77.22
			1000	1100	187	9010.77.23
			1200	1300	187	9010.77.24
		<ul style="list-style-type: none"> <li>■ Wall flange at rear</li> <li>■ Water seal: 50 mm</li> <li>■ ND 50</li> </ul>	600	700	187	9010.77.35
			700	800	155	9010.77.25
			800	900	155	9010.77.26
			900	1000	155	9010.77.27
			1000	1100	155	9010.77.28
			1200	1300	155	9010.77.29

Special lengths up to 1500 mm on request. Design-Gratings and supplementary components can be found on page 42 / 43.

\* Certified to EN 1253-1  
 \*\* Certified to EN 1253-6

# ACO ShowerDrain M+

Everything is made simple by just turning!

The ACO ShowerDrain M+ is equipped with 360° rotatable gully body. You can also select between four gullies to suit the installation situation, providing great flexibility and easy installation right from the start.

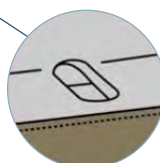
The ACO ShowerDrain M+ can be adapted to installation heights of up to 56 mm. Round shapes and flat surfaces ensure both a harmonious design and easy cleaning. The surface is also particularly resistant to cleaning agents. The foul air trap allows free pipe access and thus easy cleaning.



## ACO ShowerDrain M+

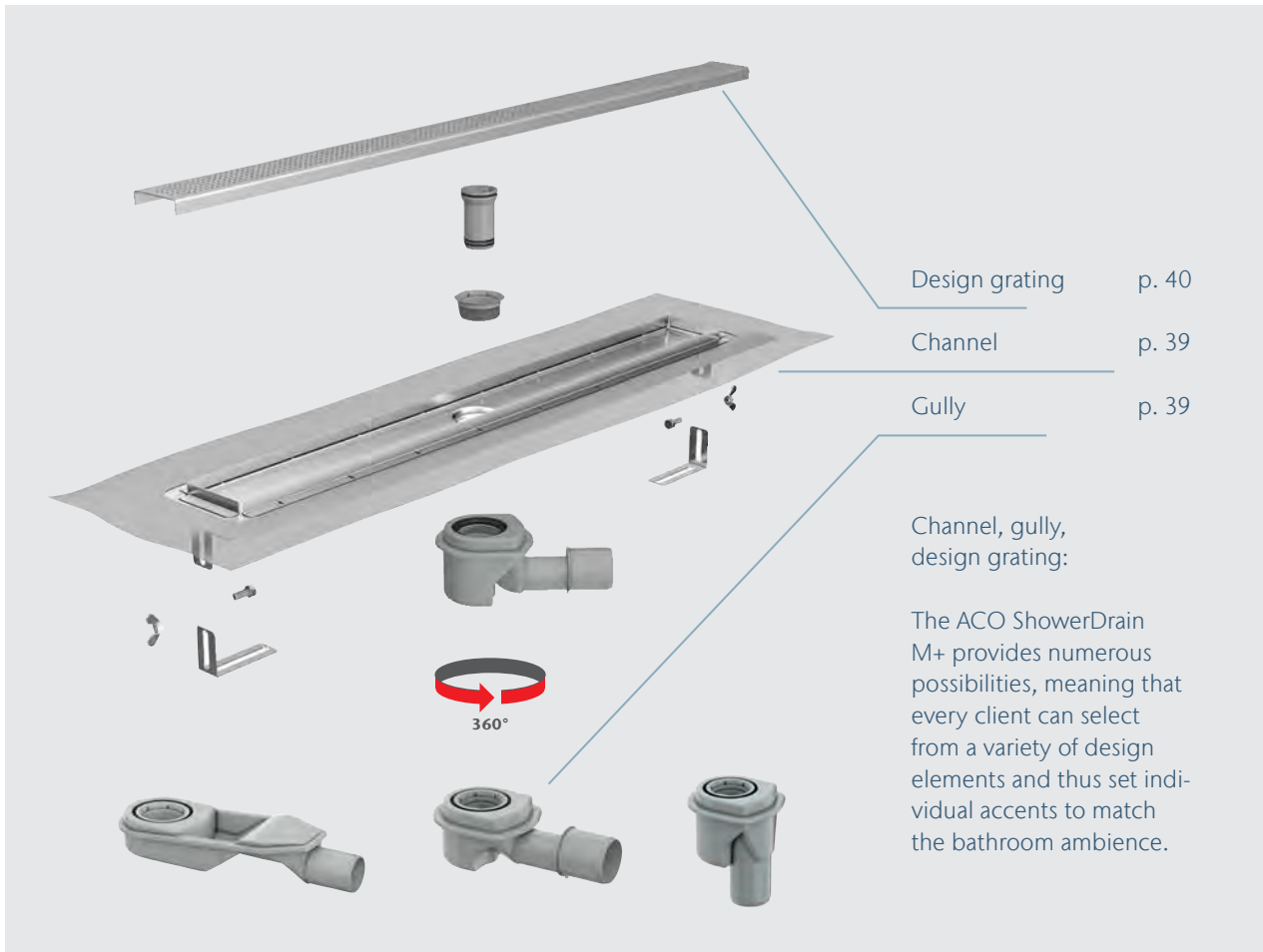
- Minimum installation height: 56 mm with inclination 1.5°
- Option for secondary drainage
- Factory assembled sealing membrane
- Fulfills all sound insulation levels (SSt I-III to VDI 4100)
- Superior finish due to electro-polished channels and gratings
- Flexible for any installation situation
- Gully body can be rotated through 360°

Enormous flexibility  
for every installation situation



- 1 Factory assembled sealing membrane
- 2 Rotatable outlet
- 3 Openings for seepage water
- 4 Sealed openings: no secondary drainage

## Modular system for every requirement



◀ The challenge of installation heights comes up again and again, not only in renovation. ACO ShowerDrain M+ offers flexible solutions: Installation heights of 56 – 140 mm UFL (unfinished floor level) can be realized. Due to the choice of 4 drain bodies, the installation height can vary by 84 mm, which eases installation significantly.



◀ The ACO ShowerDrain M+ can be combined with four different gully bodies to make it suitable for the installation situation. The gully body of the ACO ShowerDrain M+ can be flexibly aligned according to the course of the drainage pipe. Screwed in the middle, the gully body is therefore a secure, force-locked connection that holds the gully securely in position after installation.

▲ During installation and beyond the period of usage, a permanently tight connection of all components is very important. Therefore, all gully bodies are equipped with a permanently injected seal. This ensures that the seal is not accidentally lost or can slip during installation.

# ACO ShowerDrain M+

## Product benefits

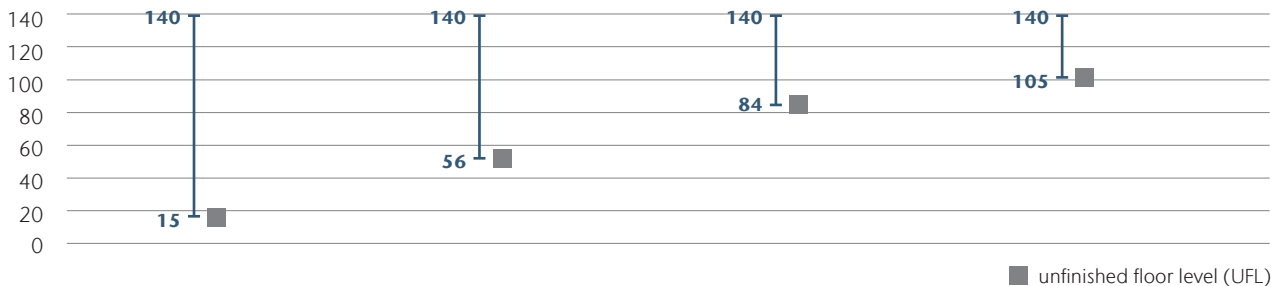
- Minimum installation height: 56 mm with inclination 1.5°
- Option for secondary drainage
- Pre-assembled sealing membrane
- Fulfills all sound insulation levels (SSt I-III to VDI 4100)
- Superior finish due to electro-polished channels and gratings
- Flexible for any installation situation
- Gully body can be rotated through 360°



## Product information

- Channel body: Stainless steel
- Gully body: Plastic
- Load class: K3
- Visible channel width: 84 mm
- Flow rate:
  - 0.4 l/s (with 10 mm build-up)
  - 0.46 l/s (with 20 mm build-up as per EN 1253-1)
- Outlet: Suitable for all push-fit pipe outlet systems
- Outlet version: ND 40/ND 50
- Foul air trap: One-piece with removeable submersible pipe
- Flange design: Pre-assembled flange and sealing membrane (overlap 60 mm)
- Flange types: Surrounding, wall flange
- With seepage water openings
- Channel: Electro-polished surface
- Mounting: Modular assembly system consisting of channel body, screwed gully body and design grating
- Scope of delivery channel: Fixing material, height adjustable feet, sound protection accessories
- Height adjustability: Max. 74 mm, depending on selected gully body
- Grating variants: Stainless steel, tileable
- Supplementary components: ACO ShowerStep and Hair strainer

## Installation heights UFL (unfinished floor level)



Gully ND 50  
(WS 50, EN 1253-1)



Gully ND 40  
(WS 25, EN 1253-6)



Gully ND 40/50  
(WS 30, EN 1253-6)



Gully ND 40/50  
(WS 50, EN 1253-1)

■ unfinished floor level (UFL)










## Order data, shower channel

Product	Dimensioned drawing	Dimensions			Article no.
		L1 [mm]	L2 [mm]	B [mm]	
<b>Surrounding flange (frame height 12 mm)</b>					
		600	700	187	9010.87.06
		700	800	187	9010.87.00
		800	900	187	9010.87.01
		900	1000	187	9010.87.02
		1000	1100	187	9010.87.03
		1200	1300	187	9010.87.04
<b>Wall flange at rear (frame height 12 mm)</b>					
		600	700	155	9010.87.16
		700	800	155	9010.87.10
		800	900	155	9010.87.11
		900	1000	155	9010.87.12
		1000	1100	155	9010.87.13
		1200	1300	155	9010.87.14

## Order data, gully body




Product	Dimensioned drawing	Description	Article no.
		<ul style="list-style-type: none"> <li>■ ND 40/50 (EN 1253-1)</li> <li>■ Water seal: 50 mm</li> <li>■ Installation height: 105 – 140 mm</li> </ul>	9010.81.20
		<ul style="list-style-type: none"> <li>■ ND 40/50 (EN 1253-6)</li> <li>■ Water seal: 30 mm</li> <li>■ Installation height: 84 – 140 mm</li> </ul>	9010.81.21
		<ul style="list-style-type: none"> <li>■ ND 40 (EN 1253-6)</li> <li>■ Water seal: 25 mm</li> <li>■ Installation height: 56 – 140 mm</li> </ul>	9010.81.22
		<ul style="list-style-type: none"> <li>■ ND 50 (EN 1253-1)</li> <li>■ Water seal: 50 mm</li> <li>■ Installation height: 15 – 140 mm</li> </ul>	9010.81.23

Order data, design gratings made from stainless steel for – ShowerDrain E+, M+

Product	Design	Article no.					
		600 mm	700 mm	800 mm	900 mm	1000 mm	1200 mm
	Wave	0155.05.98	0153.73.42	0153.73.43	0153.73.44	0153.73.45	0153.73.46
	Quadrato	0155.06.00	0153.73.59	0153.73.60	0153.73.61	0153.73.62	0153.73.63
	Mix	0155.06.08	9010.56.03	9010.56.04	9010.56.05	9010.56.06	9010.56.07
	Flag	0155.06.02	0153.73.69	0153.73.70	0153.73.71	0153.73.72	0153.73.73
	Stripe	9010.79.16	9010.78.82	9010.78.83	9010.78.84	9010.76.85	9010.78.86
	Twist <sup>1)</sup>	9010.79.15	9010.76.82	9010.76.83	9010.76.84	9010.76.85	9010.76.86
	Tile <sup>2)</sup>	0155.06.12	0153.81.87	0153.81.88	0153.81.89	0153.81.90	0153.81.91
	Piano	9010.72.18	9010.72.12	9010.72.13	9010.72.14	9010.72.15	9010.72.16
	Signature <sup>3)</sup>	Customized Solution					

<sup>1)</sup> Reversible grating with two different surfaces (solid and tileable)<sup>2)</sup> Tileable up to H=10 mm, tile height incl. tile adhesive<sup>3)</sup> Individualised lettering at request of customer

Order data, accessories

Product	Designation	Description	Suitable for	Article no.
	Hair strainer	<ul style="list-style-type: none"> <li>■ For the prevention of pipe blockage due to hair</li> <li>■ Made from plastic</li> <li>■ Simple to removal and cleaning</li> <li>■ For retrofitting</li> <li>■ Reduces flow rate by 0.2 l/s</li> </ul>	ShowerDrain M+	9010.81.24
	Hair strainer	<ul style="list-style-type: none"> <li>■ For the prevention of pipe blockage due to hair</li> <li>■ Made from plastic</li> <li>■ Simple to removal and cleaning</li> <li>■ For retrofitting</li> <li>■ Reduces flow rate by 0.2 l/s</li> </ul>	ShowerDrain E+	9010.72.00
	ACO EasyStop ND 40	<ul style="list-style-type: none"> <li>■ Prevents drying out of the water seal in the foul air trap</li> </ul>	ShowerDrain E+	9010.79.23
	ACO EasyStop ND 50	<ul style="list-style-type: none"> <li>■ Material: plastic with membrane insert and lip seal</li> </ul>		9010.79.24





3



# Product overview

## Public channels

**NEW**

### **ACO ShowerDrain Public X**

The showerdrain with  
heat recovery



44

### **ACO ShowerDrain Public**

The high-performance  
public shower channel



52

**NEW**

# ACO ShowerDrain Public X

## Specific measures for more sustainability – showers with heat recovery

In modern buildings, the energy required to produce hot water is already equal to the energy required for the entire heating system. Instead of discharging the still warm wastewater unused into the sewage system, the ACO solution leads the wastewater through a heat exchanger.

The heat is thus extracted from the wastewater and the cold fresh water is preheated. This efficient pre-heating means that significantly less hot water has to be added later at the mixer tap.

Why our customers choose the ACO ShowerDrain Public X:

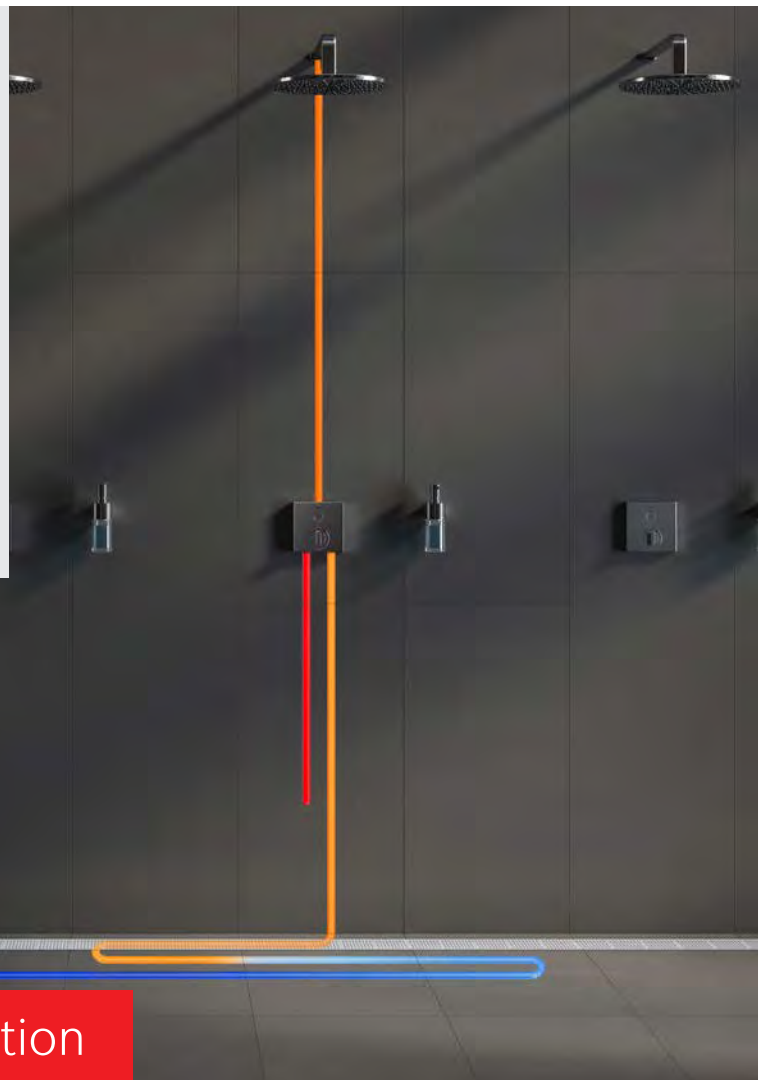
- Efficient and sustainable: energy consumption is reduced
- Short-term payback thanks to reduced energy costs
- Simple and durable: quick installation, easy cleaning and high-quality materials

The heat exchanger of the ACO ShowerDrain Public X is certified for drinking water by the following organisations:



### ACO ShowerDrain Public X

- Drinking water certified according to DVGW / SVGW / WRAS
- Efficiency / Savings up to 48% (10P)
- Efficiency classes selectable by heat exchanger 6P or 10P
- Heat exchanger can be dismantled for easy access to the piping, even in built-in condition
- According to german standard DIN EN 1253-1
- Pre-assembled sealing membrane (complies with W3-I according to german standard DIN 18534)



Small redirection

with great effect

## Challenge

In modern building structures, both in the commercial and residential sectors, the energy demand for water heating is on a par with that for heating systems. This is particularly the case in public facilities such as gyms and swimming pools, where users often tend to make extensive use of the hot shower, as there is no separate cost for this.

Until now, solutions to reduce energy consumption and costs have been limited mainly to the use of water-saving shower heads, a measure that is not without financial risk for operators.

*„Simply said, the best kilowatt hour remains the one that doesn't have to be generated at all.“*

*(Hermann Scheer)*

## Efficient and sustainable – reduce energy consumption



Model calculation  
Fitness centre\*:

**>2.000.000 kWh  
Energy saving\***

**448 tonnes  
CO<sub>2</sub> savings**  
(Source: EEW 2022)

\*Example on following page

With the ShowerDrain Public X, energy and costs can be saved efficiently every day!

## Operating principle

- The warm shower water leaves the shower head at a temperature of 38° C, flows through the grating, passes through the foul air trap and is evenly directed over the double-walled heat exchanger in the shower channel.
- The cold fresh water (blue) flowing through the heat exchanger is heated from approx. 10° C to approx. 26 – 32° C (orange).
- As a result, the mixing valve reduces the hot water flow (red / orange), which has a direct impact on the energy consumption for hot water preparation.
- With this solution, energy costs are reduced and the protection of the environment can be reached – without giving up the comfort of a warm shower.

\*see following page

## Short-term payback because of reduced energy costs

In the following scenario, up to € 8.300 can be saved annually in energy costs.

### Gym:

2 bathrooms (m/f) each with an ACO ShowerDrain Public X (10P)

Number of annual days of use per year	350
Number of people per day	150
Energy costs per kWh in €	0,12
Shower duration in minutes	8
Effectively used shower time for heat recovery in minutes	7
Planned service life in years	15

**Up to €125.000  
energy cost savings\***

\*With a service life of 15 years

Rising prices can be expected in the future for fossil fuels.



Simply calculate potential savings. The design of the system is carried out with the help of our layout tool

## Efficiency / Savings (10P)

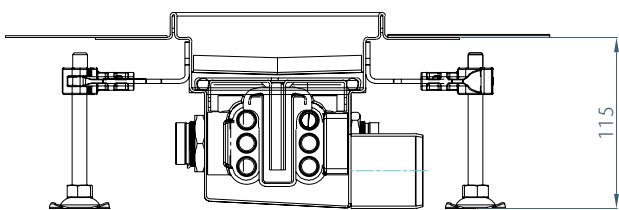
Volume flow per showerhead	Showers in operation	Hot water temperature	Cold water temperature	Efficiency / savings (preliminary values)
9.2 l/min	1	38°C	10°C	48%
	2			38%
	3			31%
12.5 l/min	1	38°C	10°C	44%
	2			32%
	3			26%

Efficiency depends on:

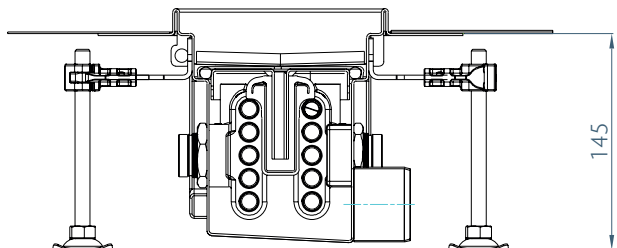
- Connection diagram
- Number of showers / shower heads
- Flow rate of the shower heads

46

### Structure of heat exchanger unit with 6P and 10P

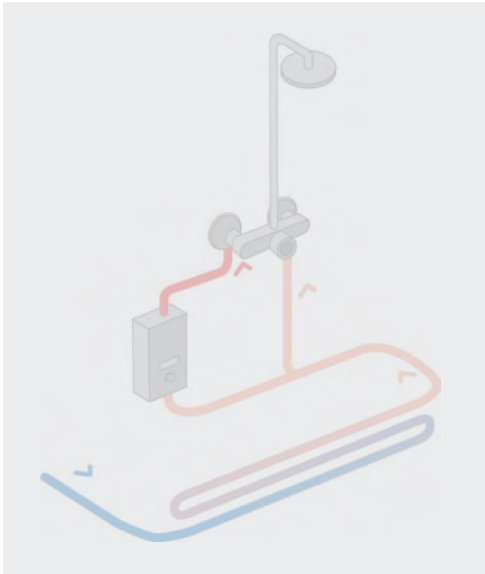


Heat exchanger with 6 double-walled copper pipes, installation height UFL from 115 mm



Heat exchanger with 10 double-walled copper pipes, installation height UFL from 145 mm

## Planning data at a glance – connection diagram



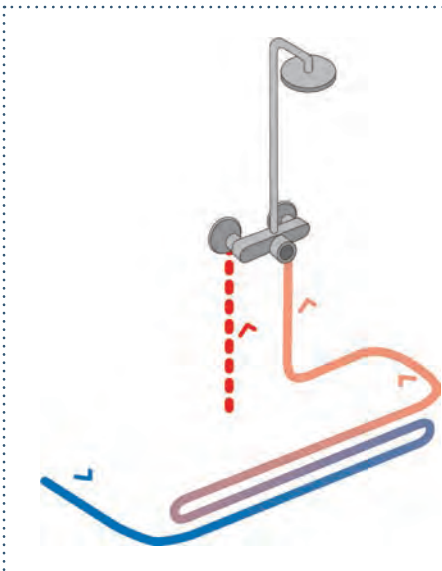
### Scheme A

#### Preheating of the entire shower water

The entire volume flow of the shower water flows through the heat exchanger.

Preheated, it flows partly to the single lever shower mixer (cold), partly to the local water heating equipment, where it is heated and reaches the mixer (hot).

The efficiency is therefore slightly better because the volume flow through the heat exchanger is higher than in Scheme B.



### Scheme B

#### Preheating of the cold water

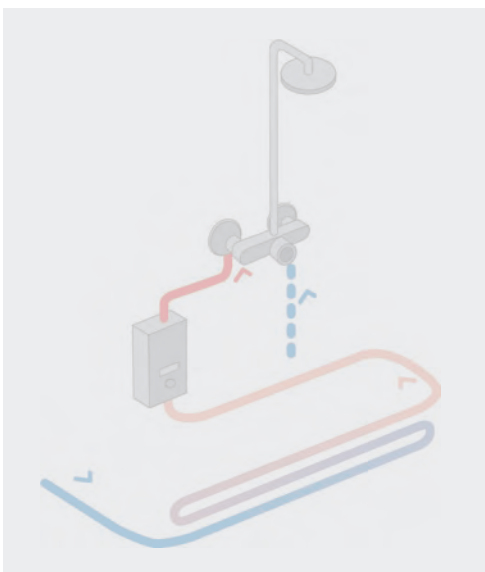
Only the cold water portion of the total volume flow passes through the heat exchanger, while the hot water is drawn from the remote boiler / storage tank.

- ACO ShowerDrain Public is installed in **Scheme B**
- The preliminary results on efficiency were measured in **Scheme B**

#### ATTENTION!

When comparing efficiency values with single-user shower channels: KWA test is carried out after **Scheme A!**

With **Scheme B** the values are approx. 10 – 15% lower.



### Scheme C

#### Preheating of the hot water

Right from the beginning the hot water portion of the total volume is lead through the heat exchanger directly into the equipment for hot water preparation (local, near the shower, hot water up to 45°C). Afterwards it is routed to the single-lever shower mixer (hot). The cold water is connected directly to the single-lever shower mixer.

The efficiency is therefore slightly better because the volume flow through the heat exchanger is higher than in Scheme B.

Simple and durable – easy installation,  
easy cleaning and high-quality materials



With the ACO ShowerDrain Public X, ACO offers builders and planners the best possibilities for efficient, spacious and homogeneous bathroom design without sales, material changes and barriers.

High-quality stainless steel has proven itself in many applications. Where high requirements are placed on the height and hygiene, operational safety and material resistance.

The standard material used is AISI 304.

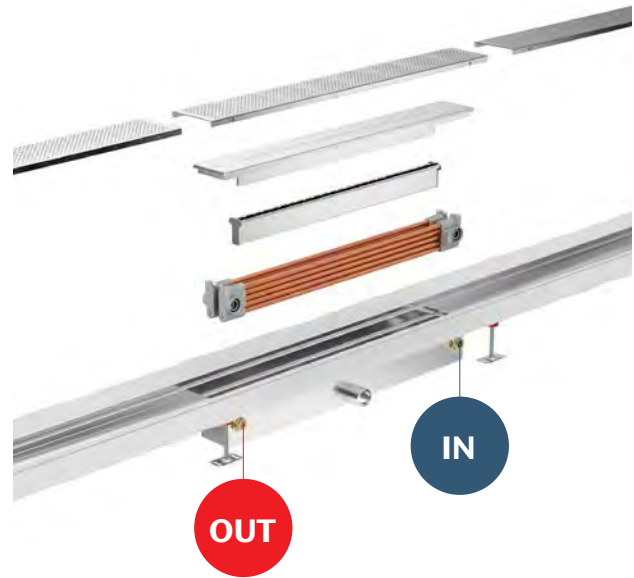
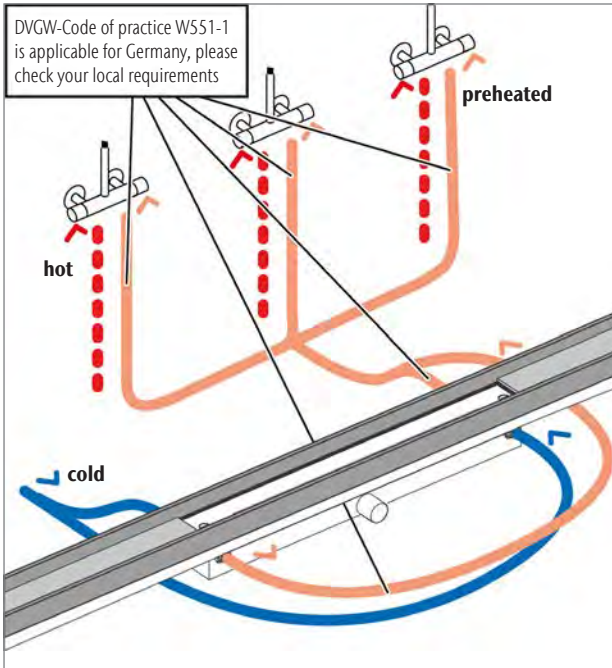
On request, the shower channel incl. grating can also be supplied in AISI 316.

The ACO ShowerDrain Public X is supplied completely preassembled. All internal components, including the doublewalled heat exchanger, can be removed for cleaning purposes. This guarantees easy access to the pipeline even when installed.

Some applications, due to special circumstances, require individual solutions for architectural projects. With the ACO ShowerDrain Public X, a wide range of customised lengths up to 6 m are possible. Due to length measurements accurate to the millimetre, horizontal & vertical sockets, tile frames from 13 – 30 mm, the shower channel can be adapted to respective installation situations.



**Installation instructions**



If cold shower is needed, separate shower area provide for (e.g. in sauna areas)

Fresh water connections

- Factory-made marking „in“ / „out“ by means of stamp + coloured bonding
- Connections ½" internal thread (pre-assembled)
- Note pressure loss through heat exchanger (see table – maximum 3 shower heads/heat exchangers)

Recommended minimum flow pressure fresh water	4 bar
Maximum working pressure fresh	10 bar

**Pressure loss through heat exchanger\*:**

For flow at the shower head (volume flow)	1 shower head in operation	2 shower heads in operation	3 shower heads in operation
9.2 l/min	0.20 bar	0.56 bar	1.10 bar
12.5 l/min	0.32 bar	1.04 bar	1.60 bar

Legionella protection	
Heat exchanger volume	0.7 l
Maximum pipe volume between heat exchanger and fitting	2 l

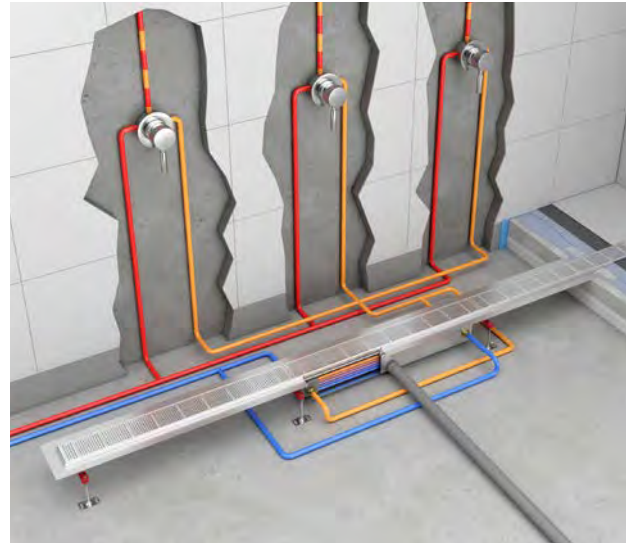
\*Initial situation:

- 55°C hot water – inlet in mixer tap
- 38°C shower temperature at the shower head
- 26°C preheated fresh water heat exchanger

# ACO ShowerDrain Public X

## ACO product benefits

- Drinking water certified according to DVGW/SVGW/WRAS
- Efficiency/Savings up to 48% (10P)
- Efficiency classes selectable by heat exchanger 6P or 10P
- Heat exchanger can be dismantled for easy access to the piping, even in built-in condition
- According to german standard DIN EN 1253-1
- Pre-assembled sealing membrane (complies with W3-I according to german standard DIN 18534)



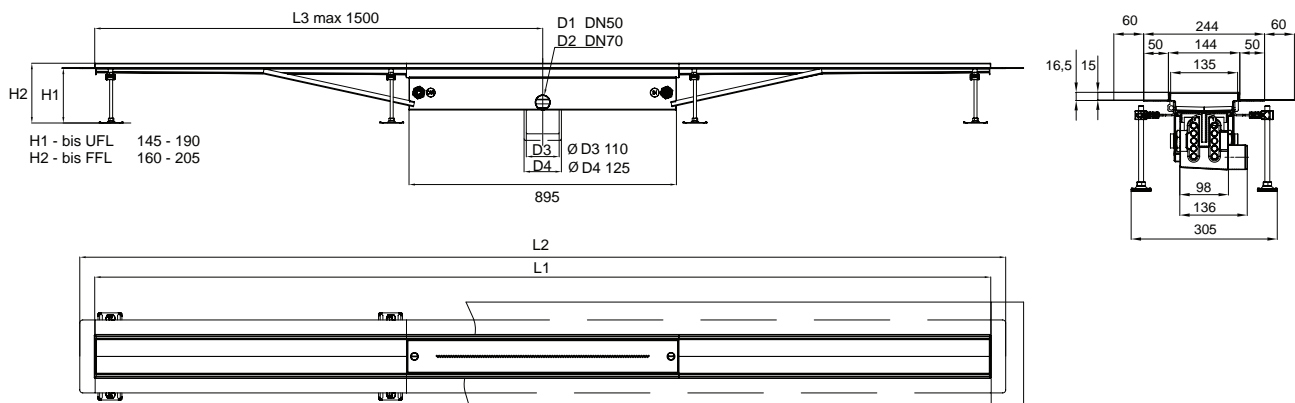
## Product informationen

- Material:
  - Channel body: Stainless steel
  - Heat exchanger: double-walled copper tube
  - Heat exchanger connections: brass
- Product class: A (according to EN 1253-1)
- Load class: K3 (according to EN 1253-1)
- Visible channel width: 145 mm
- Slope: Criss-cross slope
- Flow rate (according to EN 1253-1):
  - 0.8 l/s with 10 mm build-up
  - 1.0 l/s with 20 mm build-up
- Outlet socket: suitable for all push-fit pipe socket systems
- Outlet version: 1.5°, ND 50
- Foul air trap: two-piece removable
- Flange design: firmly moulded on (50 mm), pre-assembled sealing membrane, with 60 mm overlap


- Flange types: surrounding, without seepage water openings
- Channel surface: pickle passivated
- Incl. removable heat exchanger
  - 10P
  - Incl. audible leakage detector and non-return valve
  - Fresh water connections ½" IT
  - Efficiency up to 48% (with shower head 9.2 l/min)
- Assembly: pre-assembled
- Scope of supply: channel body, hair strainer, feet for height adjustment
- Installation height up to unfinished floor level (UFL):
  - 10P: from 145 – 190 mm
- Height tile frame: 15 mm
- Height-adjustability by means of height-adjustable feet:
  - 10P: 45 mm
- Grating variant: Quadrato, slip-proof class C
- Supplementary components: ACO ShowerStep

50


## Dimensioned drawing



Order information channel body

Product image	Description	Dimensions			Article no.
		L1 [mm]	L2 [mm]	B [mm]	
<b>Public X 10P, Installation height to top of screed 145 – 190 mm (frame height 15 mm)</b>					
	<ul style="list-style-type: none"> <li>■ Water seal: 50 mm</li> <li>■ ND 50 (according to EN 1253-1)</li> <li>■ With surrounding flange</li> </ul>	3000	3100	145	9011.63.30

Order information design grating

Product image	Design	Description	Length	Article no.
			[mm]	
	Quadrato	<ul style="list-style-type: none"> <li>■ Grinded</li> <li>■ Load class: K3 (EN 1253-1)</li> <li>■ Slip resistance class C</li> </ul>	3000	9011.13.30

**The ACO ShowerDrain Public X can also be customised on request:**

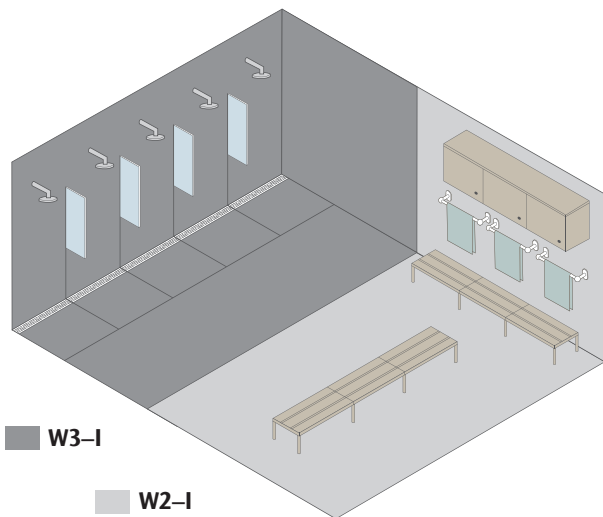
- Channel with heat exchanger 6P for lower installation height (from 115 mm UFL)
- Channel length up to 6m
  - Two inlet chambers with heat exchanger are necessary for channel lengths > 3.000 mm
  - On-site transport must be clarified in advance
- For increasing material requirements: Stainless steel AISI 316
- Various connection types
  - Horizontal socket ND 70 (10P)
  - Vertical socket ND 50/70/100/125
- Tile frames from 13 – 30 mm (e.g. for natural stone)



# ACO ShowerDrain Public

## Place emphasis on the individual

Shower channel body, gully element, design grating: The ACO ShowerDrain Public has numerous variation options. This means that every planner, architect or investor can choose from a wide range of design elements and place emphasis on the shower area to match its ambience.



The high-quality shower channel ACO ShowerDrain Public sets new standards for quick and safe installation, and also meets the highest demands in terms of design and maintenance. In addition to the tool-free height adjustment, the easy to assemble channel includes pre-assembled sealing membrane and thus complies with the highest water impact class W3-I in accordance with the German standard DIN 18534-3). Due to the expandable material, a high level of safety is ensured in bridging cracks between the shower channel and the screed is guaranteed.

In addition, the impermeable connection between the gully element and the channel permanently protects the floor structure from water. The 360° rotatable drain body in the 80 mm channel variant offers maximum flexibility. With channel width 110 mm, all gully elements meet the current fire protection requirements. The integrated secondary drainage also allows rapid drying of natural stone coverings through seepage water openings. The high-quality appearance of the ACO ShowerDrain Public is completed by stainless steel design grating, roll grating or tileable grating.

## Water impact class W3-I (German standard 18544)

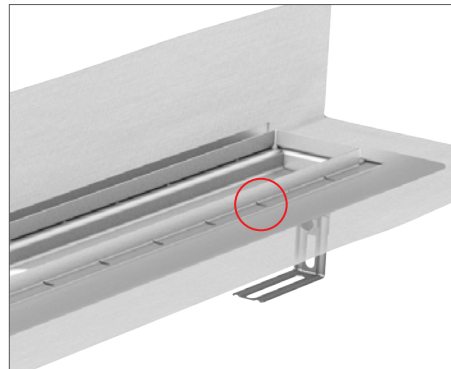
- The flange width on drainage channels, floor drains and built-in parts must be at least 50 mm (does not apply to pre-assembled sealing membranes).
- For W3-I, flange widths  $\geq 50$  mm are required for composite waterproofing.
- Additional impacts (e.g. raising chemical impacts in commercial kitchens) can increase the flange widths.
- For threshold degrees with little or no level difference is always a channel for W3-I to be arranged.



## The ACO ShowerDrain Public at a glance

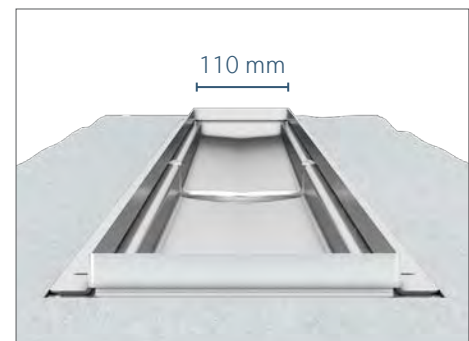
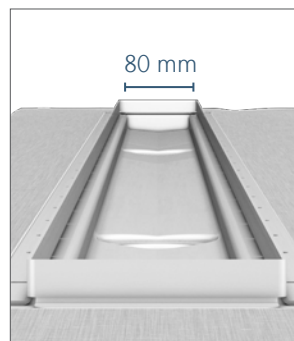
### Sealing sleeve and seepage water openings

The pre-assembled sealing membrane ensures reliable sealing in the composite waterproofing. This means that the ACO ShowerDrain Public meets the requirements of the highest water impact class W3-I. The integrated secondary drainage also allow rapid drying of natural stone coverings through seepage water openings. If necessary, these can be closed during waterproofing.



### Smooth, dirt-repellent surface

High-quality appearance without disturbing corners and edges makes the shower channel easy to maintain. The surface is also particularly resistant to cleaning agents. The foul air trap allows free access to the pipe and thus easy cleaning.



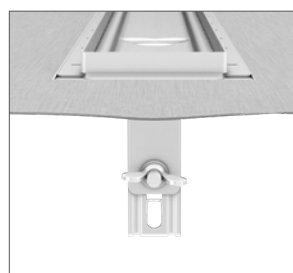
### Flexible selection of gully elements

You can combine the ACO ShowerDrain Public with different gully elements to suit the installation situation. Depending on the required flow rate, Fire protection or soundproofing requirements as well as low installation heights, various gully elements made of stainless steel, cast iron or plastic are available.



### Simple height adjustment

You can easily adjust the channel to the respective floor level with the help of adjusting screws / quick-release fasteners.



# ACO ShowerDrain Public 80

## ACO product benefits

- Individual design up to 3 m on request
- W3-I according to german standard DIN 18534 (pre-assembled)
- Minimum installation height: 115 mm with socket inclination 1.5°
- Fulfils all sound insulation levels (SSt I-III after VDI 4100)
- Optional seepage water openings
- Gully element rotatable by 360°
- Continuously adjustable in height




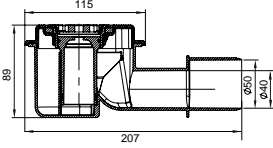

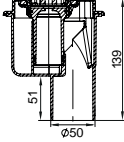
## Product informationen

- Material:
  - Channel body: stainless steel, pickle passivated
  - Gully: plastic PP
- Product class: A (EN 1253-1)
- Load class: K3 (EN 1253-1)
- Visible channel width: 84 mm
- Flow rate (EN 1253-1, horizontal and vertical gullies ND 50):
  - Up to channel length 2.000 mm (two gullies)
    - 0.85 l/s with 10 mm build-up
    - 0.95 l/s with 20 mm build-up
  - Channel length 2.500 – 3.000 mm (three gullies)
    - 1.15 l/s with 10 mm build-up
    - 1.30 l/s with 20 mm build-up
- Outlet socket: suitable for all push-fit pipe socket systems
- Outlet version: ND 40/ND 50
- Foul air trap: 1-piece with removable submersible pipe
- Flange design: firmly moulded on, pre-assembled sealing membrane with 60 mm overlap
- Flange types: surrounding, wall flange
- With seepage water openings
- Assembly: modular system, consisting of channelbody, screwed gully element and grating
- Scope of supply channel body: fixing material, height adjustment
- Installation height to top of screed: from 30 mm to max. 140 mm
- Height-adjustability: 25 mm by means of height-adjustable feet
- Supplementary components: ACO ShowerStep, hair strainer



The measurement for the ShowerDrain Public 80 can be found on p. 56/57.




## Order information gully elements

Product image	Dimensioned drawing	Description	Article no.
		<ul style="list-style-type: none"> <li>■ ND 40/50</li> <li>■ Water trap: 50 mm (EN 1253-1)</li> <li>■ Installation height: 115 – 140 mm</li> </ul>	9010.81.20
		<ul style="list-style-type: none"> <li>■ ND 50</li> <li>■ Water trap: 50 mm (EN 1253-1)</li> <li>■ Installation height: 30 – 140 mm</li> </ul>	9010.81.23


## Order information design grating

Product image	Design	Description	Length	Article no.
			[mm]	
	Quadrato	<ul style="list-style-type: none"> <li>■ Grinded</li> <li>■ Load class: K3 (EN 1253-1)</li> <li>■ Slip resistance class C</li> </ul>	1500	9008.11.15
			2000	9008.11.20
			2500	9008.11.25
			3000	9008.11.30
	Tile	<ul style="list-style-type: none"> <li>■ Tileable up to H = 10 mm (tile thickness incl. tile adhesive)</li> <li>■ Load class: K3 (EN 1253-1)</li> <li>■ Slip-proof on site, depending on the type of tile used</li> </ul>	1500	9008.20.15
			2000	9008.20.20
			2500	9008.20.25
			3000	9008.20.30

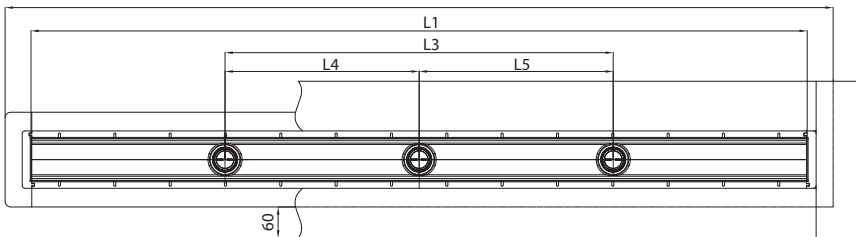
## Order information accessories

Product image	Designation	Suitable for	Description	Article no.
	Hair strainer	<ul style="list-style-type: none"> <li>■ ACO ShowerDrain Public 80</li> <li>□ Gully element</li> </ul>	<ul style="list-style-type: none"> <li>■ For the prevention of pipe blockage due to hair</li> <li>■ Made from plastic</li> <li>■ Simple to removal and cleaning</li> <li>■ For retrofitting</li> <li>■ Reduces flow rate by 0.1 l/s</li> </ul>	9010.81.24

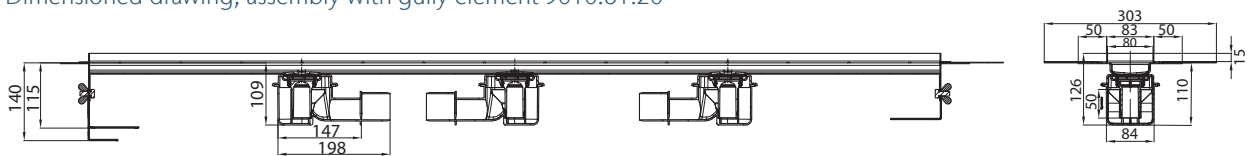
## Measurement for the ACO ShowerDrain Public 80

	Dimensions						Gullies	Article no.
	L1	L2	L3	L4	L5	B		
	[mm]	[mm]	[mm]	[mm]	[mm]	[mm]		
<b>Public 80 with surrounding flange</b>							[pcs]	
	1500	1600	750	–	–	183	2	9008.60.15
	2000	2100	1000	–	–	183	2	9008.60.20
	2500	2600	–	830	830	183	3	9008.60.25
	3000	3100	–	1000	1000	183	3	9008.60.30

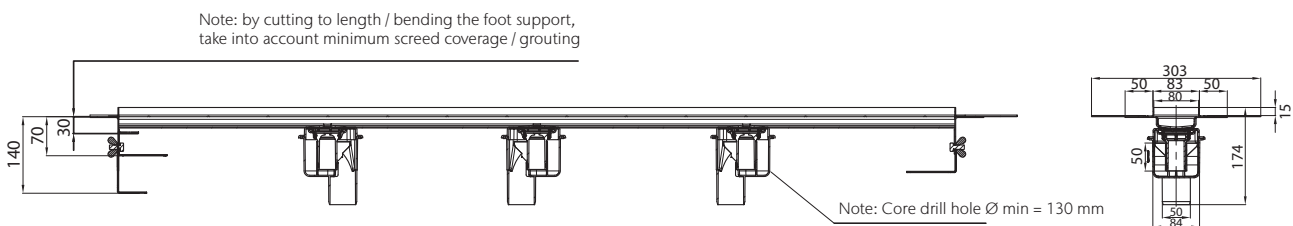
### Dimensioned drawing channels



### Dimensioned drawing, assembly with gully element 9010.81.20



### Dimensioned drawing, assembly with gully element 9010.81.23

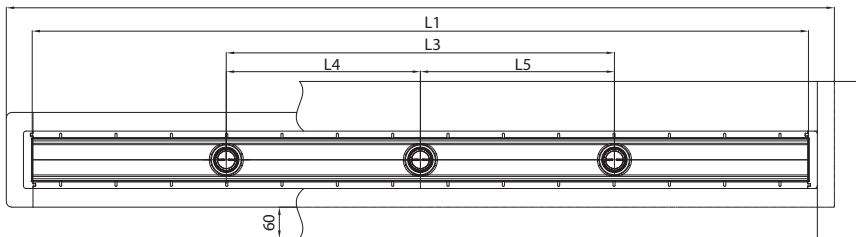




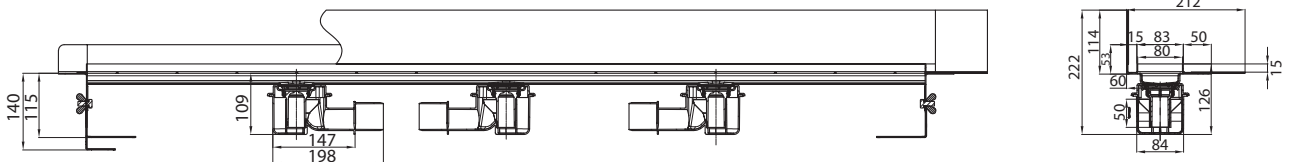
	Dimensions						Gullies	Article no.
	L1	L2	L3	L4	L5	B		
	[mm]	[mm]	[mm]	[mm]	[mm]	[mm]		
<b>Public 80 with wall flange</b>	1500	1600	750	-	-	152	2	9008.70.15
	2000	2100	1000	-	-	152	2	9008.70.20
	2500	2600	-	830	830	152	3	9008.70.25
	3000	3100	-	1000	1000	152	3	9008.70.30



Dimensioned drawing channels

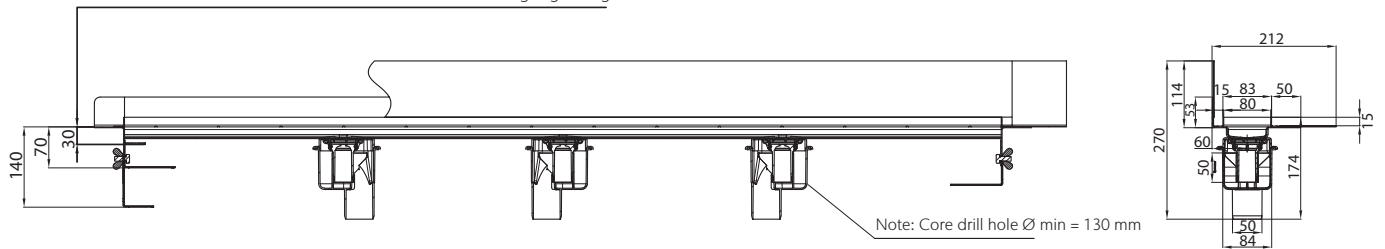


Dimensioned drawing, assembly with gully element 9010.81.20



Dimensioned drawing, assembly with gully element 9010.81.23

Note: by cutting to length / bending the foot support, take into account minimum screed coverage / grouting.



# ACO ShowerDrain Public 110

## ACO product benefits

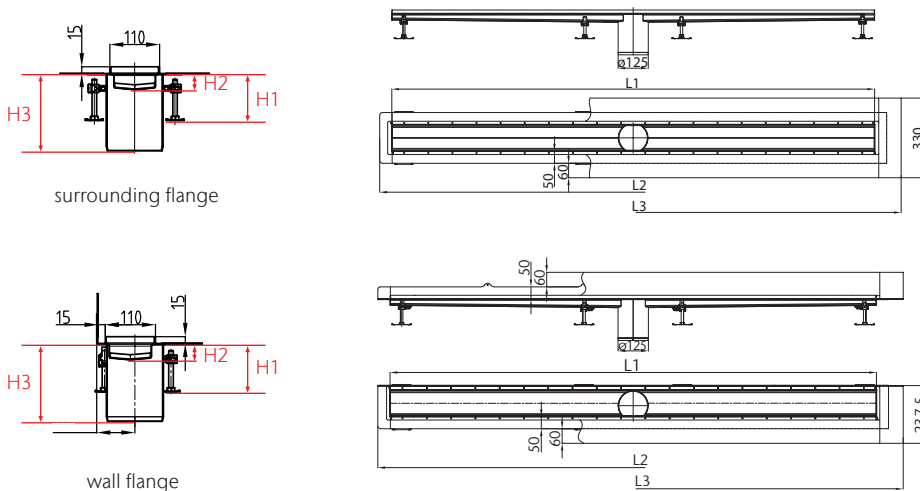
- Individual design up to 5 m on request
- Meets W3-I according to german standard DIN 18534 (pre-assembled sealing membrane)
- Combination with fire protection floor gullies is possible
- Optional seepage water openings
- Continuously adjustable in height
- Gully optionally made of stainless steel or cast iron





## Product informationen

- Material:
  - Channel body: stainless steel, pickle passivated
  - Gully: optionally made of stainless steel and cast iron
- Product class: A (EN 1253-1)
- Load class: K3 (EN 1253-1)
- Visible channel width: 110 mm
- Flow rate: up to 2.0 l/s; depending on gully selection
- Outlet version: 90 °, Ø 125 mm; suitable for floor gullies ACO Variant-CR 142 made of stainless steel as well as ACO Passavant made of cast iron
- Foul air trap: 1-piece, removable, depending on the choice of gully element
- Flange design: firmly moulded on, pre-assembled sealing membrane with 60 mm overlap
- Flange types: surrounding, wall flange
- With seepage water openings
- Assembly: modular system, consisting of channelbody, separate gully element and grating
- Scope of supply channel body: combination ring for gully body ACO Variant-CR 142, height adjustment feet
- Installation height to top of screed:
  - Channel 1500/2000 von 60 – max. 130 mm
  - Channel 2500/3000 von 65 – max. 135 mm
- Supplementary components: ACO ShowerStep

## Dimensioned drawing



Order information channel body

Product image	Dimensions						Article no.
	L1 [mm]	L2 [mm]	L3 [mm]	H1 <sub>min</sub> /H1 <sub>max</sub> UFL [mm]	H2 [mm]	H3 [mm]	
	1500	1600	1720	(60*) 110 – 130	32	167	9011.60.16
	2000	2100	2220	(60*) 110 – 130	35	170	9011.60.21
	2500	2600	2720	(65*) 115 – 135	37	172	9011.60.26
	3000	3100	3220	(65*) 115 – 135	40	175	9011.60.31
	<b>Public 110, wall flange</b> (can only be combined with stainless steel drains with retaining edge, Article 9579.00.00 and 9575.00.00)						
	1500	1600	1720	(60*) 110 – 130	32	167	9011.70.16
	2000	2100	2220	(60*) 110 – 130	35	170	9011.70.21
	2500	2600	2720	(65*) 115 – 135	37	172	9011.70.26
	3000	3100	3220	(65*) 115 – 135	40	175	9011.70.31

\*H<sub>min</sub> by cutting the height adjustment feet to length, with 25 mm screed coverage channel floor to unfinished floor

Order information for gully elements for ACO ShowerDrain Public 110

You can combine the ACO ShowerDrain Public 110 with different gully elements to suit the installation situation. Depending on the floor structure, the required flow rate, fire protection or soundproofing requirements, various gully elements made of stainless steel or cast iron are available.

Detailed information can be found at:  
<https://www.aco-haustechnik.de/produkte/bodenentwaesserung/>

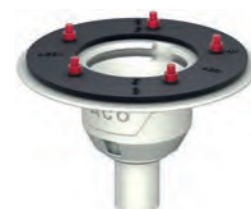
The **floor gullies Variant-CR 142** are available with horizontal and vertical outlet sockets in nominal width ND 70 and in the following versions:

- with retaining edge
- with adhesive flange
- with compression seal flange (figure)



The **Passavant floor gullies** are equipped with horizontal and vertical outlet socket in nominal widths ND 50, ND 70 and ND 100 in available in the following versions:



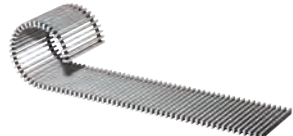
- with retaining edge
- with adhesive flange
- with compression seal flange (figure)




On request, the ACO ShowerDrain Public 110 can also be manufactured with one or more fixed ACO ShowerDrain C gully elements.



Order information design grating

Product image	Design	Description	Length [mm]	Article no.
	Quadrato	<ul style="list-style-type: none"> <li>■ Grinded</li> <li>■ Load class: K3 (EN 1253-1)</li> <li>■ Slip resistance class C</li> </ul>	1500	9011.11.15
			2000	9011.11.20
			2500	9011.11.25
			3000	9011.11.30
	Tile	<ul style="list-style-type: none"> <li>■ Tileable up to H = 10 mm (tile thickness incl. tile adhesive)</li> <li>■ Load class: K3 (EN 1253-1)</li> <li>■ Slip-proof on site, depending on the type of tile used</li> </ul>	1500	9011.20.15
			2000	9011.20.20
			2500	9011.20.25
			3000	9011.20.30
	Roll grating	<ul style="list-style-type: none"> <li>■ Made of plastic, material PVC</li> <li>■ Load class: K3 (EN 1253-1)</li> <li>■ Slot width: 8 mm</li> <li>■ Slip resistance class C</li> </ul>	1500	9011.30.15
			2000	9011.30.20
			2500	9011.30.25
			3000	9011.30.30

Order information accessories

Product image	Designation	Suitable for	Description	Article no.
	Removable dirt trap	<ul style="list-style-type: none"> <li>■ ACO ShowerDrain Public 110</li> <li>□ Gully element</li> </ul>	<ul style="list-style-type: none"> <li>■ For the prevention of pipe blockage due to hair</li> <li>■ Made of stainless steel</li> <li>■ Easy removal and cleaning</li> <li>■ Suitable for retrofitting</li> </ul>	9011.60.02



# ACO. we care for water

Intelligent drainage systems from ACO increasingly use smart technology to ensure that rainwater and wastewater are drained, or temporarily stored. With innovative separation and filter technology, we prevent water contamination. We accept the challenge of reusing water, and thus establishing a resource-saving cycle.

Add here your local address

