

Order

Price enquiry



ACO Floor pans Variant-CR

ACO Haustechnik
Sales division
Fax +49 (0) 3 69 65 /81 9-3 61
Email: haustechnik@aco-online.de

Sales representative: _____

Date: _____

Object (no., name, town): _____

Processor: _____

Road: _____

Dealer/contact partner: _____

Town: _____

Handling code/Document no.: _____

Tel.: _____ Fax: _____

Tel.: _____ Fax: _____

Email: _____

Email: _____

General information

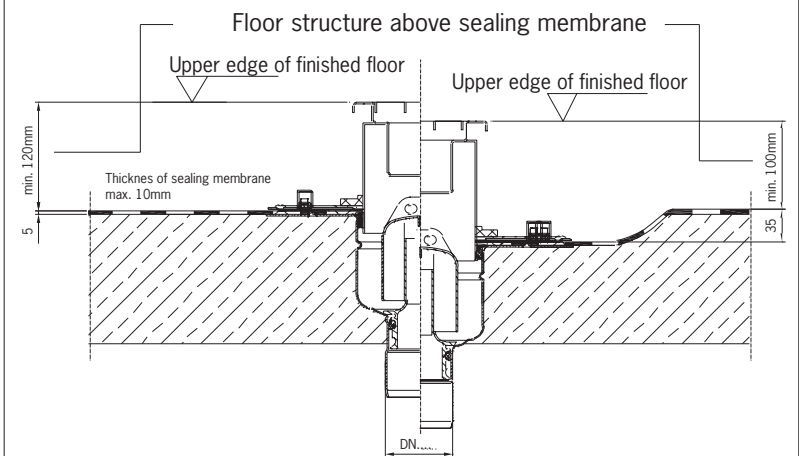
Material 1.4301

Material 1.4571

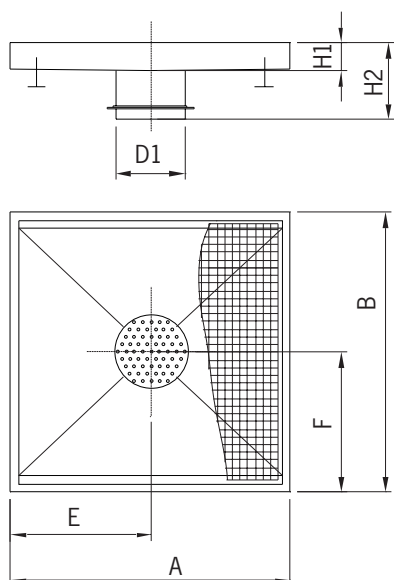
Channel depth at socket KM=mm

Remarks:
.....
.....

Floor structure thickness =mm



Floor pan with 1 inlet socket



A=.....mm
B=.....mm
E=.....mm
F=.....mm
D1= Ømm
H1=.....mm
H2=.....mm

Channel profiles

Channel profile	Section	Application area	Channel profile	Section	Application area
Type N <input type="checkbox"/>		<ul style="list-style-type: none"> - Areas without compound sealing (e.g. tiles in thick-bed) - Areas with downward compound sealing, - Traffic load max. class L15 	Type NF <input type="checkbox"/>		<ul style="list-style-type: none"> - Areas with downward compound sealing and with high thermal load, e.g. water from kettles, tilting boilers, tilting frying pans - Traffic load max. class L15
Type NH <input type="checkbox"/> (w. resin-based mortar)			<ul style="list-style-type: none"> - as described before, however traffic load max. class M125 		
Type NK <input type="checkbox"/>		<ul style="list-style-type: none"> - Areas with compound sealing or coating, except with high thermal load - Load class max. A or C - Traffic load max. class L15 	Type NFK <input type="checkbox"/> (Special)		<ul style="list-style-type: none"> - Areas with compound sealing and with downward compound cover, with high thermal load, e.g. water from kettles, tilting boilers, tilting frying pans - Traffic load max. class L15
Type NKH <input type="checkbox"/> (w. resin-based mortar)			<ul style="list-style-type: none"> - as described before, however traffic load max. class M125 		

Wall lip

left

back

right

X=.....mm

Y=.....mm

Selection of grating

Type	Lattice grating	Special gratings (small dimensions) upon request only
Load class		
K3 (loadable up to 300 kg)		
L15 (loadable up to 1.4 t)	L15 <input type="checkbox"/>	
M125 (loadable up to 12.5 t)	M125 <input type="checkbox"/>	
Anti-slip property	with anti-slip property <input type="checkbox"/>	
	without anti-slip property <input type="checkbox"/>	
Grating fixed	yes <input type="checkbox"/>	
Mesh width	30 x 30 mm <input type="checkbox"/>	
	23 x 23 mm <input type="checkbox"/>	
Special requirements	

Drain bodies

Fire protection design	yes <input type="checkbox"/>	no <input type="checkbox"/>
Socket inclination	vertical (90°) <input type="checkbox"/>	horizontal (1.5°) <input type="checkbox"/>
Article number	