

Order

Price enquiry



### ACO Stainless steel box channels Variant-CR

**ACO Haustechnik**  
**Sales division**  
**Fax +49 (0) 3 69 65 /81 9-3 61**  
**E-Mail: haustechnik@aco-online.de**

Sales representative: \_\_\_\_\_

Date: \_\_\_\_\_

Object (no., name, town): \_\_\_\_\_

Installer: \_\_\_\_\_

\_\_\_\_\_

Street: \_\_\_\_\_

Dealer/contact partner: \_\_\_\_\_

City: \_\_\_\_\_

Handling code/Document no.: \_\_\_\_\_

Tel.: \_\_\_\_\_ Fax: \_\_\_\_\_

Tel.: \_\_\_\_\_ Fax: \_\_\_\_\_

Email: \_\_\_\_\_

Email: \_\_\_\_\_

### General information

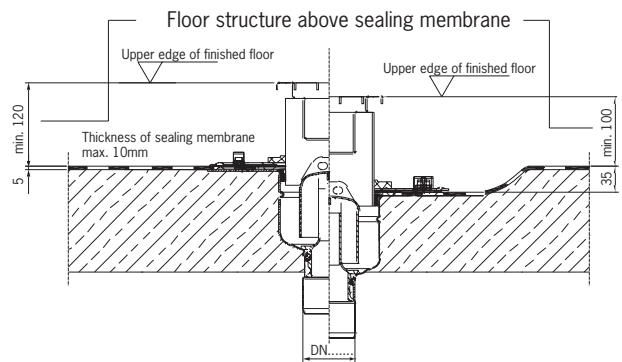
Material 1.4301

Material 1.4571

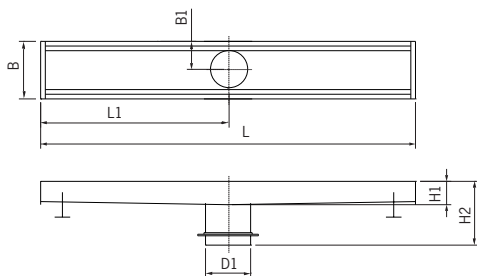
Channel depth at socket  
Nominal size KM=.....m

Remarks : \_\_\_\_\_  
\_\_\_\_\_  
\_\_\_\_\_

Floor structure thickness = .....mm

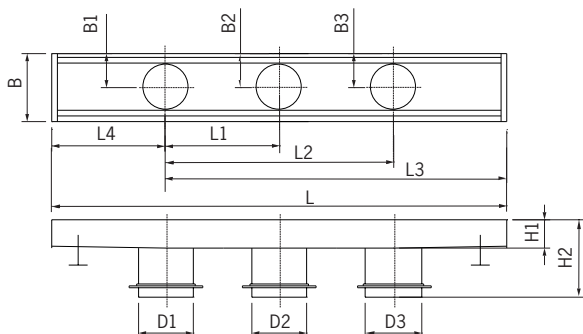


### Box channel with 1 outlet socket Quantity



L=.....mm      B=.....mm  
L1=.....mm      B1=.....mm  
D2=.....mm  
H1=.....mm      H2=.....mm

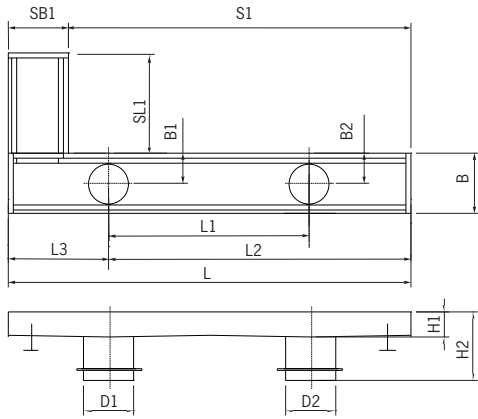
### Box channel with several outlet sockets Quantity



L=.....mm      B=.....mm  
L1=.....mm  
B1=.....mm      D1=.....mm  
B2=.....mm      D2=.....mm  
L2=.....mm  
B3=.....mm      D3=.....mm  
L3=.....mm      L4=.....mm  
H1=.....mm      H2=.....mm

**Box channel with 1 side channel and several outlet sockets**

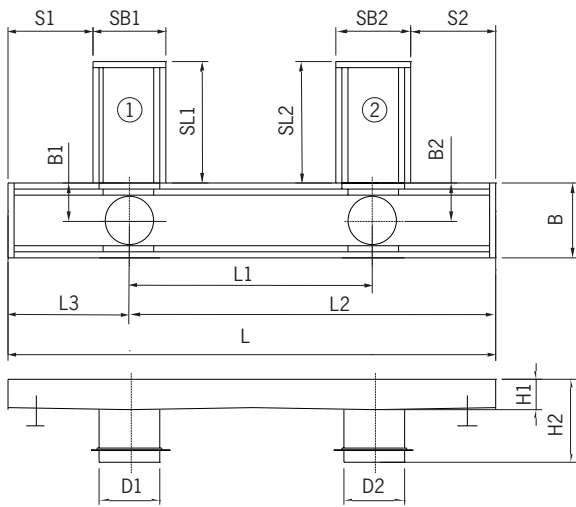
Quantity



L=.....mm      B=.....mm  
 L1=.....mm      L2=.....mm  
 L3=.....mm  
 B1=.....mm      D1=.....mm  
 B2=.....mm      D2=.....mm  
 S1=.....mm      SL1=.....mm  
 SB1=.....mm  
 H1=.....mm      H2=.....mm

**Box channel with 2 side channels and several outlet sockets**

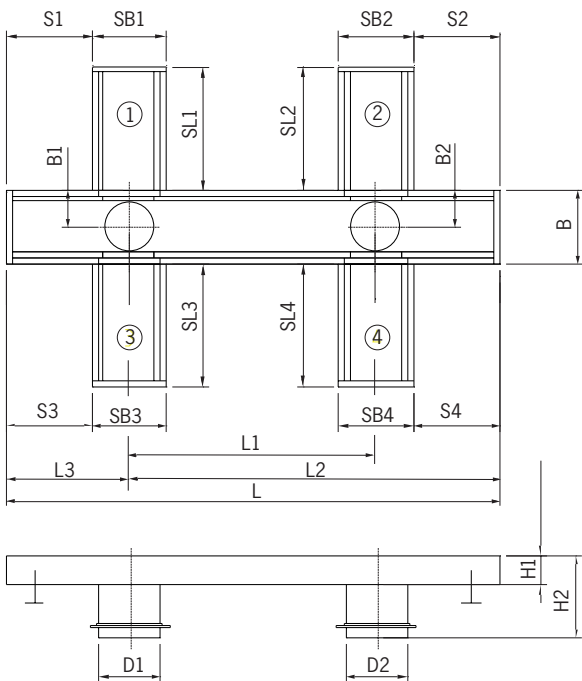
Quantity



L = .....mm      B = .....mm  
 L1 = .....mm      L2 = .....mm  
 L3 = .....mm  
 B1 = .....mm      D1 = .....mm  
 B2 = .....mm      D2 = .....mm  
 SL1 = .....mm      S1 = .....mm  
 SB1 = .....mm  
 SL2 = .....mm      S2 = .....mm  
 SB2 = .....mm  
 H1 = .....mm      H2 = .....mm

**Box channel with 4 side channels and several outlet sockets**

Quantity



L = .....mm      B = .....mm  
 L1 = .....mm      L2 = .....mm  
 L3 = .....mm  
 B1 = .....mm      D1 = .....mm  
 B2 = .....mm      D2 = .....mm  
 SL1 = .....mm      S1 = .....mm  
 SB1 = .....mm  
 SL2 = .....mm      S2 = .....mm  
 SB2 = .....mm  
 SL3 = .....mm      S3 = .....mm  
 SB3 = .....mm  
 SL4 = .....mm      S4 = .....mm  
 SB4 = .....mm  
 H1 = .....mm      H2 = .....mm

## Channel B=125mm

### Channel profile

Channel profile	Section	Application area
<b>Type NK</b> <input type="checkbox"/>		<ul style="list-style-type: none"> <li>- Areas with compound sealing or coating, except with high thermal load</li> <li>- Load class max. A or C</li> <li>- Traffic load max. class L15</li> </ul>

### Wall lip

	left <input type="checkbox"/> back <input type="checkbox"/> right <input type="checkbox"/> X=.....mm Y=.....mm
--	--

### Selection of grating

Type	Lattice grating	Roll grating	Quadrato	Tile
Load class K3 (loadable up to 300kg) L15 (loadable up to 1.5t)	 L15 <input type="checkbox"/>	 K3 <input type="checkbox"/>	 L15 <input type="checkbox"/>	 L15 <input type="checkbox"/>
Anti-slip property	with anti-slip <input type="checkbox"/> without anti-slip <input type="checkbox"/>	with anti-slip <input type="checkbox"/>	with anti-slip <input type="checkbox"/> without anti-slip <input type="checkbox"/>	
Grating fixed	yes <input type="checkbox"/> no <input type="checkbox"/>	yes <input type="checkbox"/> no <input type="checkbox"/>	yes <input type="checkbox"/> no <input type="checkbox"/>	
Mesh width	30 x 30 mm <input type="checkbox"/> 23 x 23 mm <input type="checkbox"/>			
Special requirements	.....			

### Drain bodies

Fire protection design	yes <input type="checkbox"/> no <input type="checkbox"/>
Socket inclination	vertical (90°) <input type="checkbox"/> horizontal (1.5°) <input type="checkbox"/>
Article number	.....

## Channel as from B=150mm

### Channel profiles

Channel profile	Section	Application area	Channel profile	Section	Application area
<b>Type N</b> <input type="checkbox"/>		<ul style="list-style-type: none"> <li>- Areas without compound sealing (e.g. tiles in thick-bed)</li> <li>- Areas with downward compound sealing</li> <li>- Traffic load max. class L15</li> </ul>	<b>Type NF</b> <input type="checkbox"/>		<ul style="list-style-type: none"> <li>- Areas with downward compound sealing and with high thermal load, e.g. water from kettles, tilting boilers, tilting frying pans</li> <li>- Traffic load max. class L15</li> </ul>
<b>Type NH</b> <input type="checkbox"/> (with rein-based mortar)		<ul style="list-style-type: none"> <li>- as described before, however traffic load max. cl. M125</li> </ul>	<b>Type NFH</b> <input type="checkbox"/> (with rein-based mortar)		<ul style="list-style-type: none"> <li>- as described before, however traffic load max. cl. M125</li> </ul>
<b>Type NK</b> <input type="checkbox"/>		<ul style="list-style-type: none"> <li>- Areas with compound sealing or coating, except with high thermal load</li> <li>- Load class max. A or C</li> <li>- Traffic load max. class L15</li> </ul>	<b>Type NFK</b> <input type="checkbox"/> (Special)		<ul style="list-style-type: none"> <li>- Areas with compound sealing and with downward compound cover, with high thermal load, e.g. water from kettles, tilting boilers, tilting frying pans</li> <li>- Traffic load max. class L15</li> </ul>
<b>Type NKH</b> <input type="checkbox"/> (with rein-based mortar)		<ul style="list-style-type: none"> <li>- as described before, however traffic load max. cl. M125</li> </ul>	<b>Type NFKH</b> <input type="checkbox"/> (Special) (with rein-based mortar)		<ul style="list-style-type: none"> <li>- as described before, however traffic load max. cl. M125</li> </ul>

### Special design

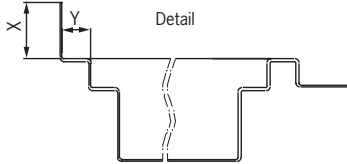
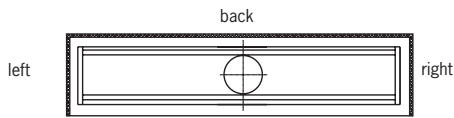
With special designs which are not listed, please use the following sheet:

Channel profile

Channel width

Sketch or separate drawing

## Wall lip



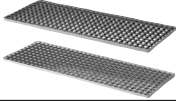
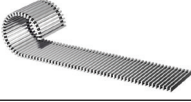


left  
back  
right


X=.....mm

Y=.....mm

## Selection of grating

Type	Lattice grating 	Roll grating 	Bar grating 	Perforated grating 
Load class K3 (loadable up to 300kg) L15 (loadable up to 1.5t) M125 (loadable to 12.5t)	L15 <input type="checkbox"/> (only up to M125 channel B=300) <input type="checkbox"/>	K3 <input type="checkbox"/>	M125 <input type="checkbox"/>	L15 <input type="checkbox"/>
Anti-slip property	with anti-slip <input type="checkbox"/> without anti-slip <input type="checkbox"/>	with anti-slip <input type="checkbox"/>	without anti-slip <input type="checkbox"/>	with anti-slip <input type="checkbox"/> without anti-slip <input type="checkbox"/>
Grating fixed	yes <input type="checkbox"/> no <input type="checkbox"/>	yes <input type="checkbox"/> no <input type="checkbox"/>	yes <input type="checkbox"/> no <input type="checkbox"/>	yes <input type="checkbox"/> no <input type="checkbox"/>
Mesh width	30 x 30 mm <input type="checkbox"/> 23 x 23 mm <input type="checkbox"/>			
Special requirements	.....			

## Drain bodies

Fire protection design	yes <input type="checkbox"/>	no <input type="checkbox"/>
Socket inclination	vertical (90°) <input type="checkbox"/>	horizontal (1.5°) <input type="checkbox"/>
Article number	.....	