

Order

Price enquiry



ACO Slotted channels Variant-CR

ACO Haustechnik
Sales division
Fax +49 (0) 3 69 65 /81 9-3 61
Email: haustechnik@aco-online.de

Sales representative: _____

Date: _____

Objekt (no., name, town): _____

Installer: _____

Street: _____

Dealer/contact partner: _____

City: _____

Handling code/Document no.: _____

Tel.: _____ Fax: _____

Tel.: _____ Fax: _____

Email: _____

Email: _____

General information

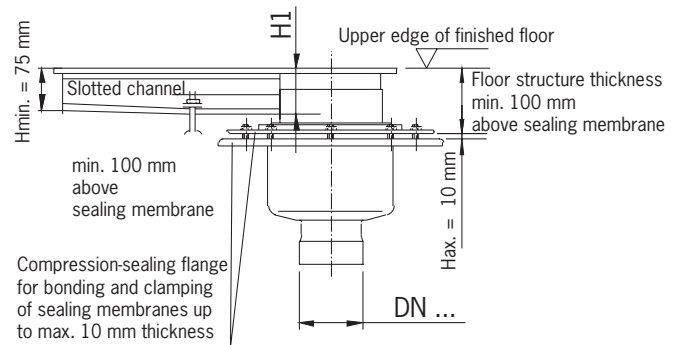
Material 1.4301

Material 1.4571

Channel connection dimension H1=.....mm

Remarks:

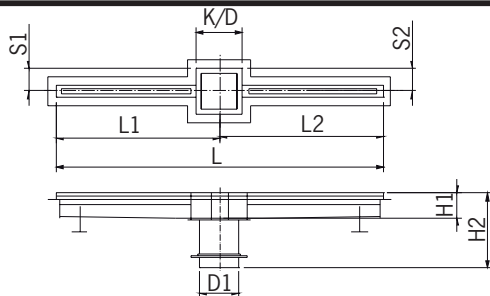
Floor structure thickness =.....mm



Designs

Slotted channel with 1 outlet socket

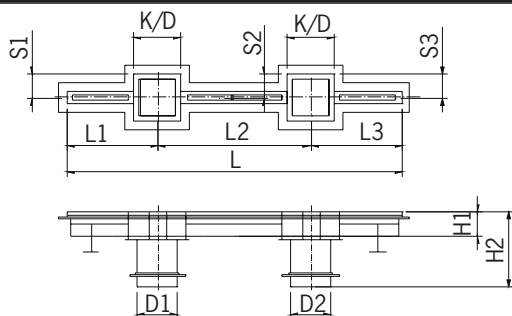
Quantity



L =mm K =mm
 L1 =mm S1 =mm
 L2 =mm S2 =mm
 H1 =mm H2 =mm
 D1 =mm

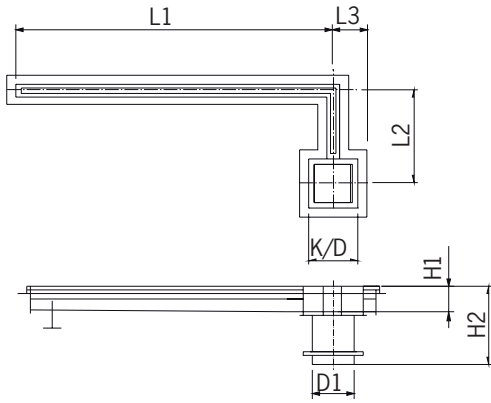
Slotted channel with 2 outlet sockets

Quantity



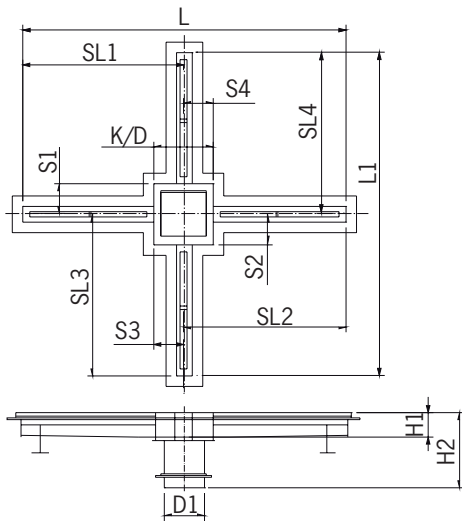
L =mm K =mm
 L1 =mm S1 =mm
 L2 =mm S2 =mm
 L3 =mm S3 =mm
 H1 =mm H2 =mm
 D1 =mm D2 =mm

Slotted channel/angle with 1 outlet socket Quantity



L =mm K =mm
 L1 =mm L2 =mm
 L3 =mm
 H1 =mm H2 =mm
 D1 =mm

Slotted channel with 1 outlet socket Quantity



L =mm K =mm
 L1 =mm
 SL1 =mm S1 =mm
 SL2 =mm S2 =mm
 SL3 =mm S3 =mm
 SL4 =mm S4 =mm
 H1 =mm H2 =mm
 D1 =mm

Special design

With special designs which are not listed, please use the following sheet

Channel profile

Channel width

Sketch or separate drawing

Channel profiles

Channel profiles 23mm

Channel profile	Section	Application area	Channel profile	Section	Application area
Type N <input type="checkbox"/>		<ul style="list-style-type: none"> - Drainage channel for drain water with slight pollutant - Traffic load max. class L15 	Type NF <input type="checkbox"/>		<ul style="list-style-type: none"> - Drainage channel for drain water with slight pollutant - Traffic load max. class L15
Type NH <input type="checkbox"/> (with resin-based mortar)		<ul style="list-style-type: none"> - as described before, however traffic load max. class M125 	Type NFH <input type="checkbox"/> (with resin-based mortar)		<ul style="list-style-type: none"> - as described before, however traffic load max. class M125
Type NKH <input type="checkbox"/> (with resin-based mortar)		<ul style="list-style-type: none"> - Drainage channel for drain water with slight pollutant - Traffic load max. class M125 			

Channel profiles 28mm

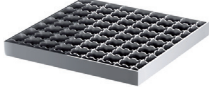

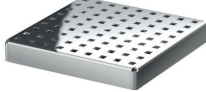
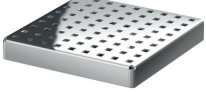
Channel profile	Section	Application area	Channel profile	Section	Application area
Type N <input type="checkbox"/>		<ul style="list-style-type: none"> - Drainage channel barefoot area for the barrier-free shower area, with central bar - Traffic load max. class K3 	Type NKH <input type="checkbox"/> (with resin-based mortar)		<ul style="list-style-type: none"> - Drainage channel barefoot area for the barrier-free shower area, with central bar - Traffic load max. class M125
Type NH <input type="checkbox"/> (with resin-based mortar)		<ul style="list-style-type: none"> - as described before, however traffic load max. class M125 			

Channel profiles 8mm

Channel profile	Section	Application area	Channel profile	Section	Application area
Type N <input type="checkbox"/>		<ul style="list-style-type: none"> - Drainage channel barefoot area for the barrier-free shower area - Traffic load max. class K3 	Type NKH <input type="checkbox"/> (with resin-based mortar)		<ul style="list-style-type: none"> - Drainage channel barefoot area for the barrier-free shower area - Traffic load max. class M125
Type NH <input type="checkbox"/> (with resin-based mortar)		<ul style="list-style-type: none"> - as described before, however traffic load max. class M125 			

Gratings

Grating at inlet socket/top section

Type	Lattice grating 	Slotted grating 	Perforated grating 	Quadrato 
Load class K3 (loadable up to 300kg) L15 (loadable up to 1.5t) M125 (loadable to 12.5t)	L15 <input type="checkbox"/>	M125 <input type="checkbox"/>	K 3 <input type="checkbox"/>	K3 <input type="checkbox"/>
	M125 <input type="checkbox"/>		L15 <input type="checkbox"/>	
Anti-slip property	with anti-slip <input type="checkbox"/>		with anti-slip <input type="checkbox"/>	with anti-slip <input type="checkbox"/>
	without anti-slip <input type="checkbox"/>	without anti-slip <input type="checkbox"/>	without anti-slip <input type="checkbox"/>	without anti-slip <input type="checkbox"/>
Grating fixed	yes <input type="checkbox"/>	yes <input type="checkbox"/>	yes <input type="checkbox"/>	yes <input type="checkbox"/>
	no <input type="checkbox"/>	no <input type="checkbox"/>	no <input type="checkbox"/>	no <input type="checkbox"/>
Mesh width	30 x 30 mm <input type="checkbox"/>			
	23 x 23 mm <input type="checkbox"/>			
Special requirements			

Drain bodies

Fire protection design	yes <input type="checkbox"/>	no <input type="checkbox"/>
Socket inclination	vertical (90°) <input type="checkbox"/>	horizontal (1.5°) <input type="checkbox"/>
Article number	